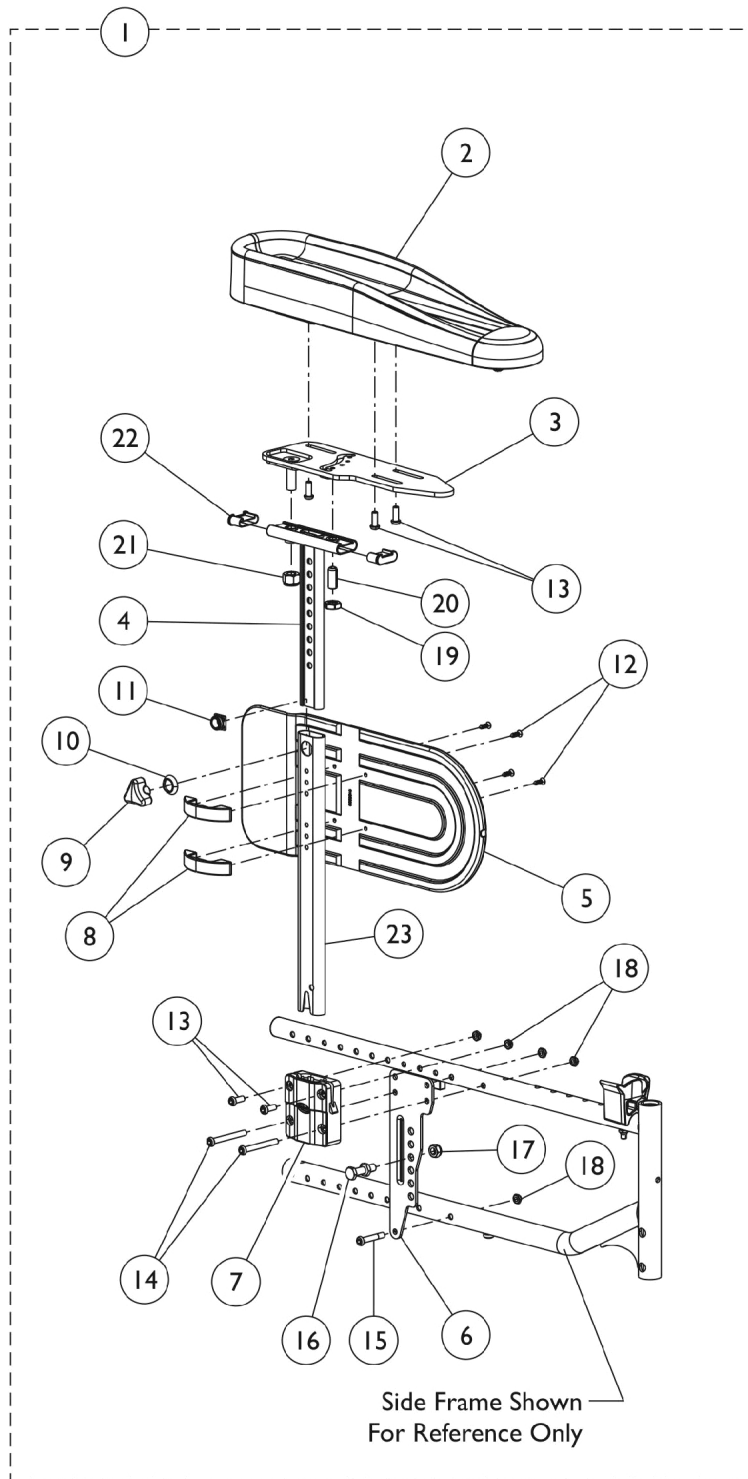


Arms - T Style Adjustable, Hemi Arm Pad



Arms - T Style Adjustable, Hemi Arm Pad

Item Number	Note	Part Number	Description	Quantity Per	
				Package	Assembly
1	A	1497008	Armrest Assembly, Hemi Armpad - Right	1	1
2			Arm Pad Assembly, Hemi - Right	1	1
3			Support, Armpad, Hemi - Right	1	1
4			Support, Hemi Arm - Right	1	1
5			Guard, Clothing	1	1
6			Plate, Attaching	1	1
7			Support, Armrest	1	1
8			Bracket, Clothing Guard	1	2
9			Screw, Ball (7.5 mm)	1	1
10			Bushing, Armrest	1	1
11			Nut, Square, Armrest	1	1
12			Screw (M4.2 - 16 8.8)	1	4
13			Screw, Socket, Button Head (M6 x 16mm)	1	5
14			Screw, Socket Button Head (M6 x 53mm)	1	2
15			Screw, Socket Head, Cap (M6 x 35mm)	1	1
16			Bolt, Double Headed	1	1
17			NLA - Locknut (M8 x 1.25)	1	1
18			NLA - Locknut (M6 x 1)	1	5
19			Nut, Low (M10 x 1.5)	1	1
20			Screw, Stop (M10 x 1.5 x 23mm)	1	1
21			Nut, Cap, Self Lock	1	1
22			Cap, Plastic, Arm Support	1	2
23			Tube, Support, Comfort/Hemi Arm	1	1
1	A	1497039	Armrest Assembly, Hemi Armpad - Left	1	1
2			Armpad Assembly, Hemi	1	1
3			Support, Armpad, Hemi - Left	1	1
4			Support, Hemi Arm - Left	1	1
5			Guard, Clothing	1	1
6			Plate, Attaching	1	1
7			Support, Armrest	1	1
8			Bracket, Clothing Guard	1	2
9			Screw, Ball (7.5 mm)	1	1
10			Bushing, Armrest	1	1
11			Nut, Square, Armrest	1	1
12			Screw (M4.2 - 16 8.8)	1	4
13			Screw, Socket, Button Head (M6 x 16mm)	1	5
14			Screw, Socket Button Head (M6 x 53mm)	1	2
15			Screw, Socket Head, Cap (M6 x 35mm)	1	1
16			Bolt, Double Headed	1	1
17			NLA - Locknut (M8 x 1.25)	1	1
18			NLA - Locknut (M6 x 1)	1	5
19			Nut, Low (M10 x 1.5)	1	1
20			Screw, Stop (M10 x 1.5 x 23mm)	1	1
21			Nut, Cap, Self Lock	1	1
22			Cap, Plastic, Arm Support	1	2
23			Tube, Support, Comfort/Hemi Arm	1	1

Arms - T Style Adjustable, Hemi Arm Pad

NOTE: A - Includes items 2 - 23.