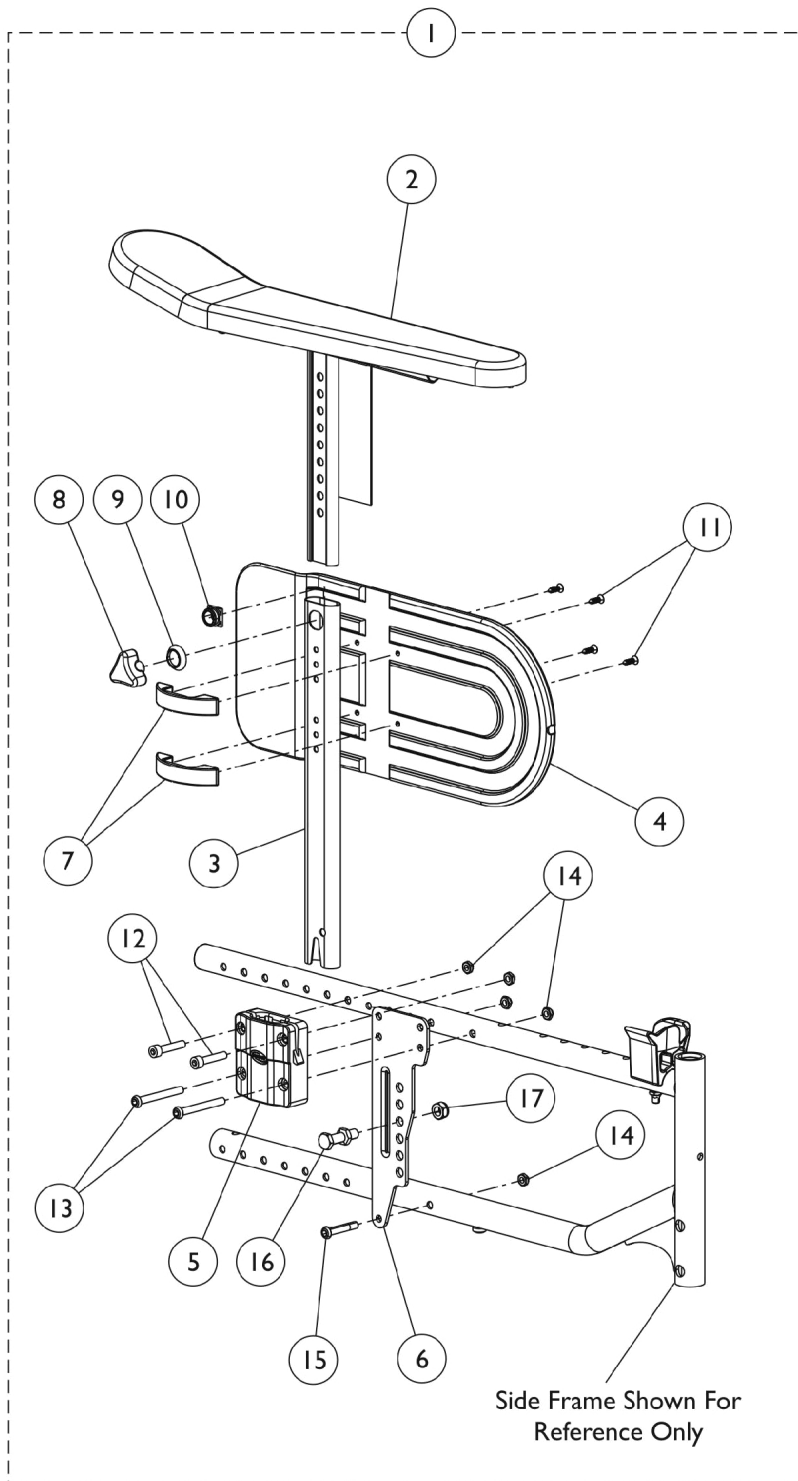


# Arms - T Style Adjustable, Comfort Arm Pad



## Arms - T Style Adjustable, Comfort Arm Pad

| Item Number | Note | Part Number | Description                           | Quantity Per |          |
|-------------|------|-------------|---------------------------------------|--------------|----------|
|             |      |             |                                       | Package      | Assembly |
| 1           | A    | 1440893     | Armrest Assembly, Comfort - Right     | 1            | 1        |
| 2           |      |             | Comfort Arm Assembly - Right          | 1            | 1        |
| 3           |      |             | Tube, Support, Comfort/Hemi Arm       | 1            | 1        |
| 4           |      |             | Guard, Clothing                       | 1            | 1        |
| 5           |      |             | Support, Armrest                      | 1            | 1        |
| 6           |      |             | Plate, Attaching                      | 1            | 1        |
| 7           |      |             | Bracket, Clothing Guard               | 1            | 2        |
| 8           |      |             | Screw, Ball (7.5 mm)                  | 1            | 1        |
| 9           |      |             | Bushing, Armrest                      | 1            | 1        |
| 10          |      |             | Nut, Square, Armrest                  | 1            | 1        |
| 11          |      |             | Screw (M4.2 - 16 8.8)                 | 1            | 4        |
| 12          |      |             | Screw, Socket Head Cap (M6 x 1 x 30)  | 1            | 2        |
| 13          |      |             | Screw, Socket Button Head (M6 x 53mm) | 1            | 2        |
| 14          |      |             | NLA - Locknut (M6 x 1)                | 1            | 5        |
| 15          |      |             | Screw, Socket Head, Cap (M6 x 35mm)   | 1            | 1        |
| 16          |      |             | Bolt, Double Headed                   | 1            | 1        |
| 17          |      |             | NLA - Locknut (M8 x 1.25)             | 1            | 1        |
| 2           |      | 1158628     | Comfort Arm Assembly - Right          | 1            | 1        |
| 1           | A    | 1440894     | Armrest Assembly, Comfort - Left      | 1            | 1        |
| 2           |      |             | Comfort Arm Assembly - Left           | 1            | 1        |
| 3           |      |             | Tube, Support, Comfort/Hemi Arm       | 1            | 1        |
| 4           |      |             | Guard, Clothing                       | 1            | 1        |
| 5           |      |             | Support, Armrest                      | 1            | 1        |
| 6           |      |             | Plate, Attaching                      | 1            | 1        |
| 7           |      |             | Bracket, Clothing Guard               | 1            | 2        |
| 8           |      |             | Screw, Ball (7.5 mm)                  | 1            | 1        |
| 9           |      |             | Bushing, Armrest                      | 1            | 1        |
| 10          |      |             | Nut, Square, Armrest                  | 1            | 1        |
| 11          |      |             | Screw (M4.2 - 16 8.8)                 | 1            | 1        |
| 12          |      |             | Screw, Socket Head Cap (M6 x 1 x 30)  | 1            | 2        |
| 13          |      |             | Screw, Socket Button Head (M6 x 53mm) | 1            | 2        |
| 14          |      |             | NLA - Locknut (M6 x 1)                | 1            | 5        |
| 15          |      |             | Screw, Socket Head, Cap (M6 x 35mm)   | 1            | 1        |
| 16          |      |             | Bolt, Double Headed                   | 1            | 1        |
| 17          |      |             | NLA - Locknut (M8 x 1.25)             | 1            | 1        |
| 2           |      | 1518702     | Comfort Arm Assembly - Left           | 1            | 1        |

NOTE: A - Includes items 2 - 17.