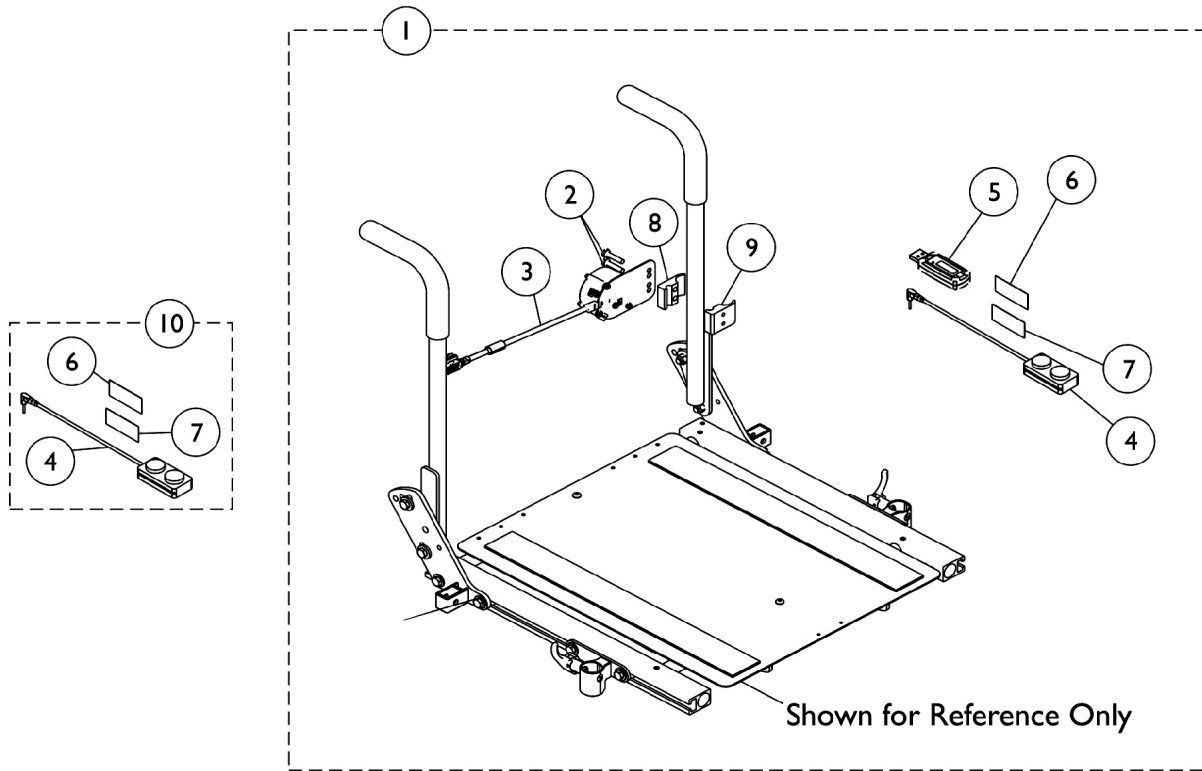


MK6i RF Wireless Mouse Module



MK6i RF Wireless Mouse Module

Item Number	Note	Part Number	Description	Quantity Per	
				Package	Assembly
1	A	1170140	RF Mouse Mounting Assembly w/ Clamp	1	1
2			NLA - Screw, Hex Head (1/4-20 x 1-1/8")	1	2
3			NLA - RF Mouse Module Assembly (63" L)	1	1
4			Switch, Push Button Dual	1	1
5			USB, IR/RF Mouse Dongle, Programmed	1	1
6			Hook, Material	1	1
7			Loop, Material	1	1
8			Half Clamp, Non-Threaded Holes	1	1
9			NLA - Half Clamp, Threaded Holes	1	1
			Tie Wrap (5-5/8" L)	1	5
	Owner's Manual, RF Mouse	1	1		
3		1170124-NLA	NLA - RF Mouse Module Assembly (63" L)	1	1
10	B	1153635	Kit, Switch, Dual Push Button (2PB)	1	1

NOTE: A - Includes items 2-9, tie wraps and owner's manual.
 B - Includes items 4, 6 and 7