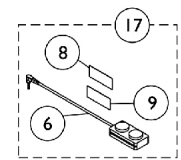
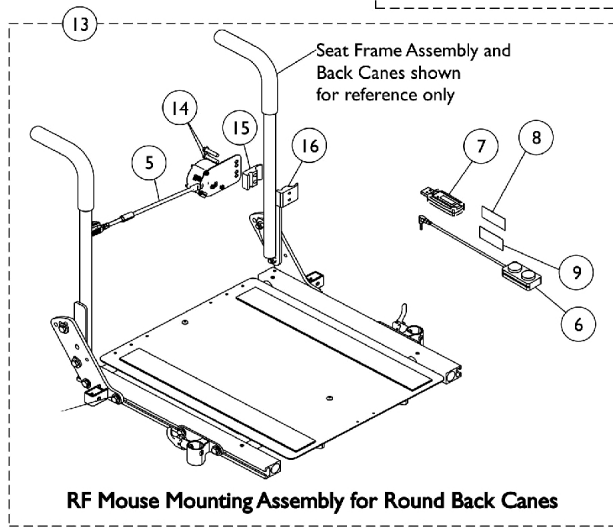
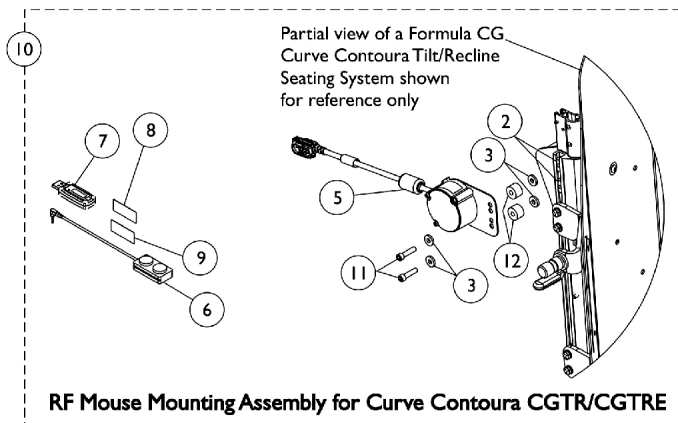
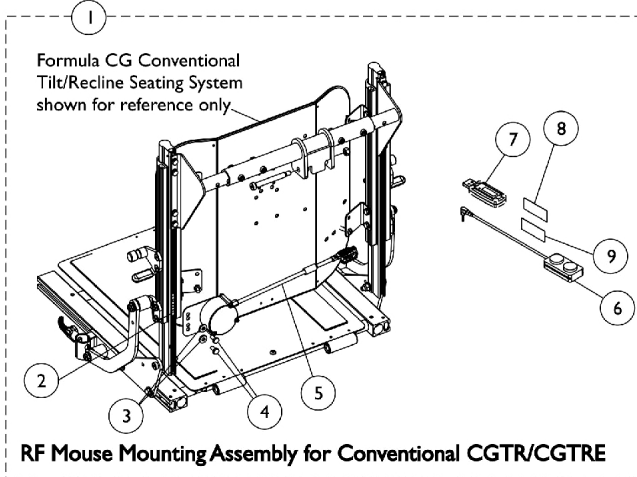


# MK6i RF Wireless Mouse Module - FDX



## MK6i RF Wireless Mouse Module - FDX

Item Number	Note	Part Number	Description	Quantity Per	
				Package	Assembly
1	A	1170142-NLA	NLA - RF Mouse Mounting Assembly w/ T-Nut, Conventional	1	1
2			T-Nut (1/4-20)	1	2
3			Washer (1/4 x 5/8 x 3/32")	1	2
4			NLA - Screw, Hex Head (1/4-20 x 1-1/2")	1	2
5			NLA - RF Mouse Module Assembly (26" L)	1	1
6			Switch, Push Button Dual	1	1
7			USB, IR/RF Mouse Dongle, Programmed	1	1
8			Hook, Material	1	1
9			Loop, Material	1	1
					Owner's Manual, RF Mouse
			Tie Wrap (5-5/8" L)	1	5
7	B	1163503	USB, IR/RF Mouse Dongle, Programmed	1	1
10		1170143-NLA	NLA - RF Mouse Mounting Assembly w/ T-Nut, Contoura	1	1
2		T-Nut (1/4-20)	1	2	
3		Washer (1/4 x 5/8 x 3/32")	1	4	
5		NLA - RF Mouse Module Assembly (26" L)	1	1	
6		Switch, Push Button Dual	1	1	
7		USB, IR/RF Mouse Dongle, Programmed	1	1	
8		Hook, Material	1	1	
9		Loop, Material	1	1	
11		NLA - Screw, Socket Head Cap w/ Patch (1/4-20 x 1")	1	2	
12		Spacer (1/4 x 3/4 x 1/2")	1	2	
				Owner's Manual, RF Mouse	1
			Tie Wrap (5-5/8" L)	1	5
7	C	1163503	USB, IR/RF Mouse Dongle, Programmed	1	1
13		1170141-NLA	NLA - RF Mouse Mounting Assembly w/ Clamp	1	1
5		NLA - RF Mouse Module Assembly (26" L)	1	1	
6		Switch, Push Button Dual	1	1	
7		USB, IR/RF Mouse Dongle, Programmed	1	1	
8		Hook, Material	1	1	
9		Loop, Material	1	1	
14		NLA - Screw, Hex Head (1/4-20 x 1-1/8")	1	2	
15		Half Clamp, Non-Threaded Holes	1	1	
16		NLA - Half Clamp, Threaded Holes	1	1	
			Tie Wrap (5-5/8" L)	1	5
			Owner's Manual, RF Mouse	1	1
5	D	1170125-NLA	NLA - RF Mouse Module Assembly (26" L)	1	1
7		1163503	USB, IR/RF Mouse Dongle, Programmed	1	1
17		1153635	Kit, Switch, Dual Push Button (2PB)	1	1

NOTE: A - Includes items 2-9, tie wraps and owner's manual.  
 B - Includes items 2, 3, 5-9, 11, 12, tie wraps and owner's manual.  
 C - Includes items 5, 6-9 and 14-16, tie wraps and owner's manual.  
 D - Includes items 6, 8 and 9.