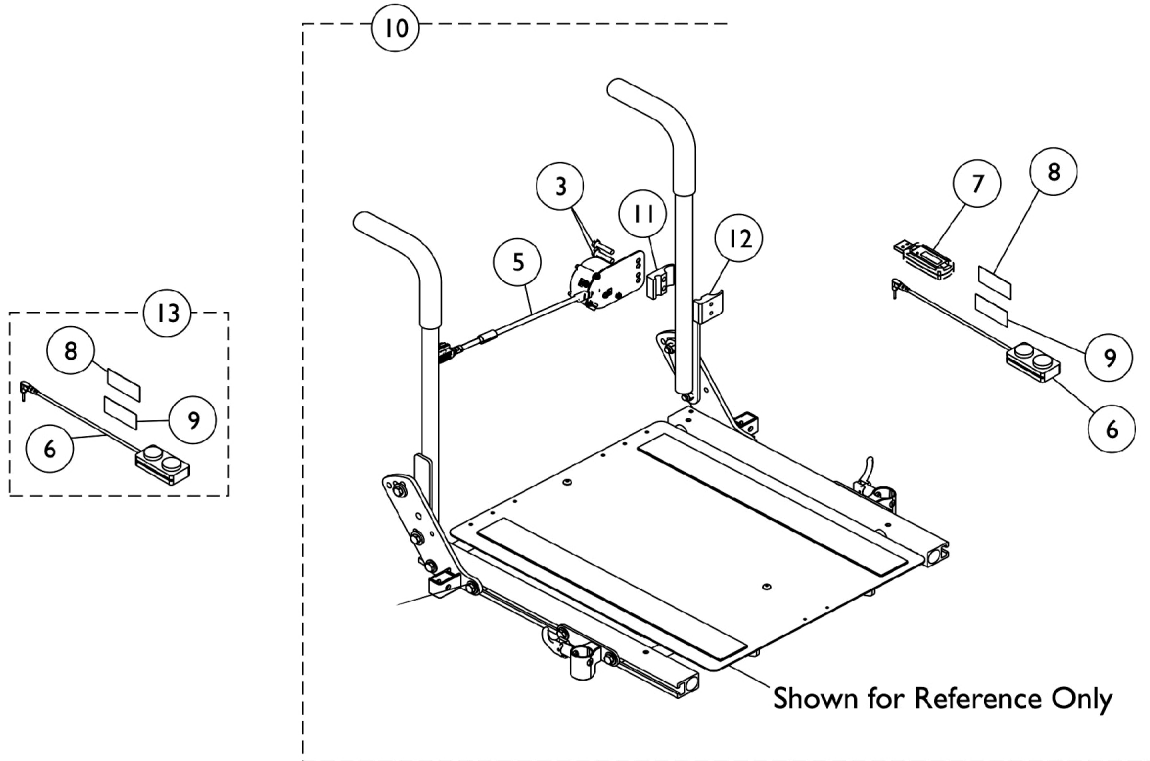
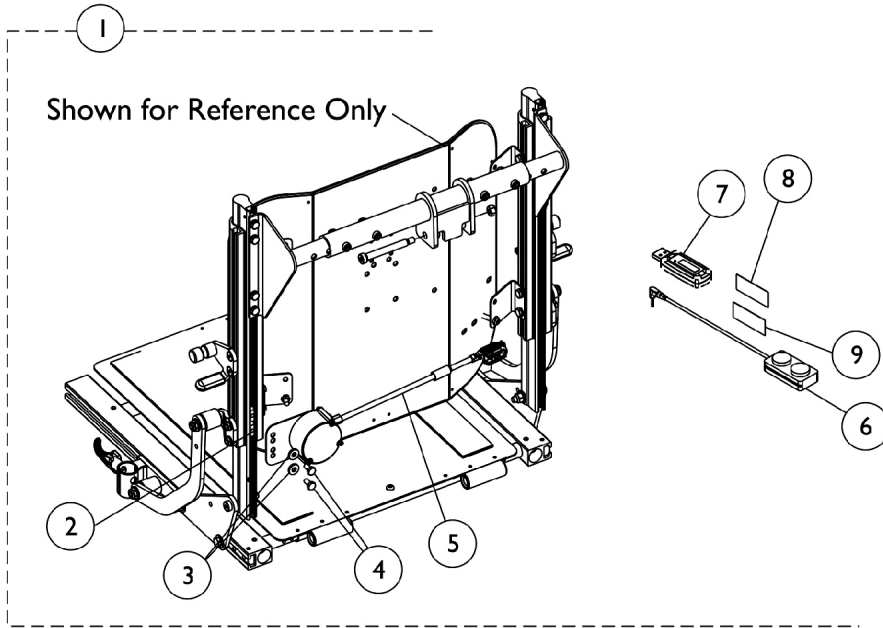


MK6i RF Wireless Mouse Module



MK6i RF Wireless Mouse Module

Item Number	Note	Part Number	Description	Quantity Per		
				Package	Assembly	
1	A	1170139	RF Mouse Mounting Assembly w/ T-Nut	1	1	
2			T-Nut (1/4-20)	1	2	
3			Washer (1/4 x 5/8 x 3/32")	1	2	
4			NLA - Screw, Hex Head (1/4-20 x 1-1/2")	1	2	
5			NLA - RF Mouse Module Assembly (63" L)	1	1	
6			Switch, Push Button Dual	1	1	
7			USB, IR/RF Mouse Dongle, Programmed	1	1	
8			Hook, Material	1	1	
9			Loop, Material	1	1	
			Owner's Manual, RF Mouse	1	1	
			Tie Wrap (5-5/8" L)	1	5	
7	B	1163503	USB, IR/RF Mouse Dongle, Programmed	1	1	
10		1170140	RF Mouse Mounting Assembly w/ Clamp	1	1	
3		NLA - Screw, Hex Head (1/4-20 x 1-1/8")	1	2		
5		NLA - RF Mouse Module Assembly (63" L)	1	1		
6		Switch, Push Button Dual	1	1		
7		USB, IR/RF Mouse Dongle, Programmed	1	1		
8		Hook, Material	1	1		
9		Loop, Material	1	1		
11		Half Clamp, Non-Threaded Holes	1	1		
12		NLA - Half Clamp, Threaded Holes	1	1		
				Tie Wrap (5-5/8" L)	1	5
				Owner's Manual, RF Mouse	1	1
5		1170124-NLA	NLA - RF Mouse Module Assembly (63" L)	1	1	
7		1163503	USB, IR/RF Mouse Dongle, Programmed	1	1	
13	C	1153635	Kit, Switch, Dual Push Button (2PB)	1	1	

NOTE: A - Includes items 2-9, tie wraps and owner's manual.
 B - Includes items 3, 5-9, 11, 12, tie wraps and owner's manual.
 C - Includes items 6, 8 and 9