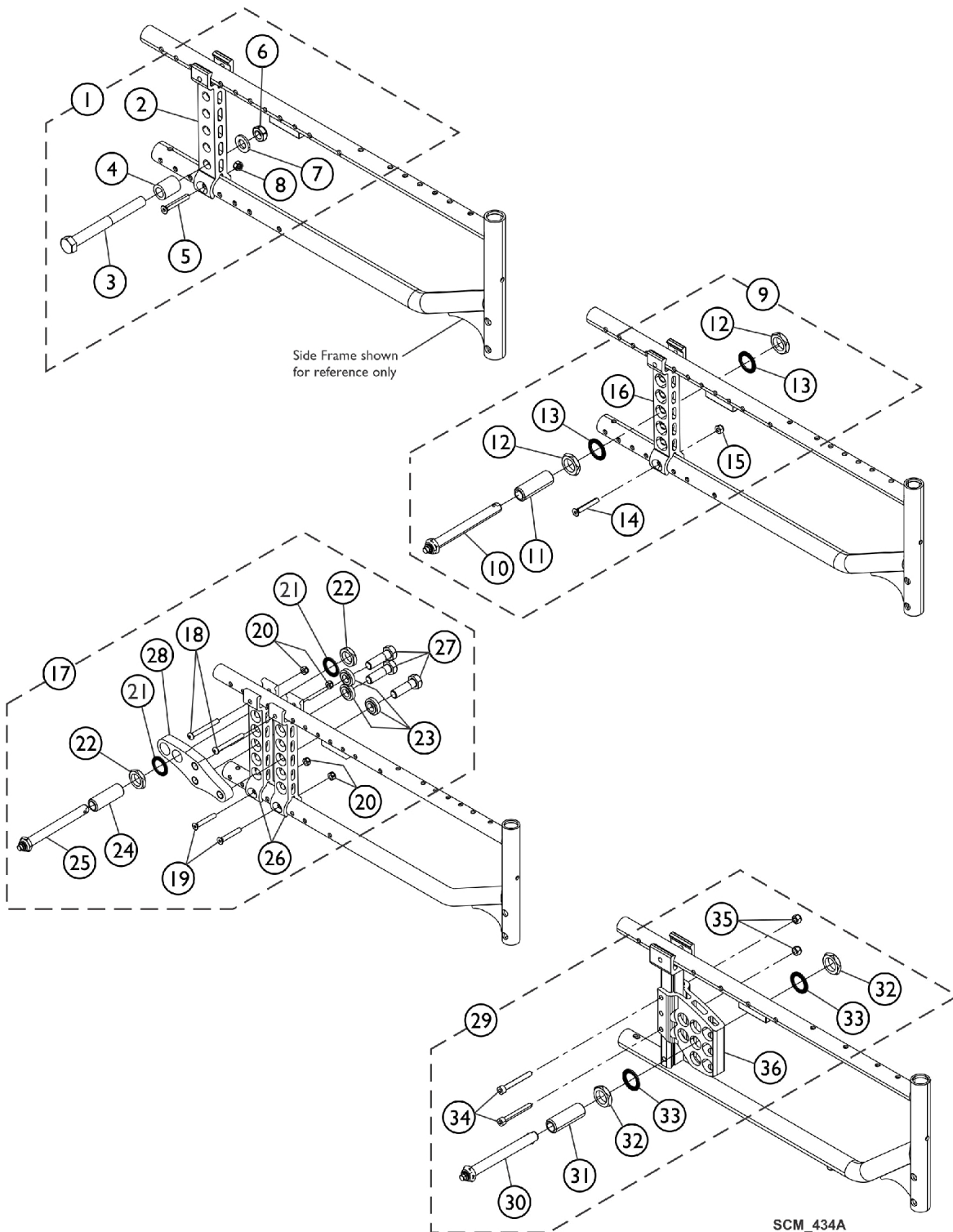


Rear Wheels - Axle Plates and Hardware



Rear Wheels - Axle Plates and Hardware

| Item Number | Note | Part Number | Description | Quantity Per | |
|-------------|------|--------------|--|--------------|----------|
| | | | | Package | Assembly |
| 1 | A | 1169078 | Kit, Hardware, Fixed Axle Plate (Pair) | 1 | 1 |
| 2 | | | Plate, Axle, Fixed | 1 | 2 |
| 3 | | | Screw, Cap, Hex Head (M12 x 1.75 x 115mm) | 1 | 2 |
| 4 | | | Spacer, Axle | 1 | 2 |
| 5 | | | Screw, C-Sunk Head (M6 x 1 x 40mm) | 1 | 2 |
| 6 | | | Nut, Hex (M12 X 1.75) | 1 | 2 |
| 7 | | | Washer (M22 x 12mm x 2.5mm) | 1 | 2 |
| 8 | | | NLA - Locknut (M6 x 1) | 1 | 2 |
| 9 | B | 1169077 | Kit, Hardware, Quick Release Axle Plate (Pair) | 1 | 1 |
| 10 | | | Quick Release Suspension Axle | 1 | 2 |
| 11 | | | Bushing, Axle, Threaded | 1 | 2 |
| 12 | | | Screw, C-Sunk Head (M6 x 1 x 40mm) | 1 | 2 |
| 13 | | | Washer, Serrated (M20.3 x 30mm x 1.5mm) | 1 | 4 |
| 14 | | | Nut, Hex, Jam (3/4-16) | 1 | 4 |
| 15 | | | NLA - Locknut (M6 x 1) | 1 | 2 |
| 16 | | | Plate, Quick Release Axle | 1 | 2 |
| 16 | | 1434112-0618 | Plate, Quick Release Axle | 1 | 1 |
| 17 | C | 1169083 | Kit, Hardware, Dual Amp Quick Release Axle Plate (Pair) | 1 | 1 |
| 18 | | | Screw, Socket Button Head (M6 x 53mm) | 1 | 4 |
| 19 | | | Screw, C-Sunk Head (M6 x 1 x 40mm) | 1 | 4 |
| 20 | | | NLA - Locknut (M6 x 1) | 1 | 8 |
| 21 | | | Washer, Serrated (M20.3 x 30mm x 1.5mm) | 1 | 4 |
| 22 | | | Nut, Hex, Jam (3/4-16) | 1 | 4 |
| 23 | | | Spacer (13 x 16 x 5) | 1 | 6 |
| 24 | | | Bushing, Axle, Threaded | 1 | 2 |
| 25 | | | Quick Release Suspension Axle | 1 | 2 |
| 26 | | | Plate, Quick Release Axle | 1 | 4 |
| 27 | | | Bolt, Hex Head Cap (M12 x 1.75 x 40mm) | 1 | 6 |
| 28 | | | Plate, Support, Axle, Dual Amputee | 1 | 2 |
| 26 | | 1434112-0618 | Plate, Quick Release Axle | 1 | 1 |
| 28 | | 1485150-0618 | Plate, Support, Axle, Dual Amputee | 1 | 1 |
| 29 | D | 1523612 | Axle Release Plate Assembly w/ Hardware, Quick Extended (Pair) | 1 | 1 |
| 30 | | | Quick Release Suspension Axle | 1 | 2 |
| 31 | | | Bushing, Axle, Threaded | 1 | 2 |
| 32 | | | Nut, Hex, Jam (3/4-16) | 1 | 4 |
| 33 | | | Washer, Serrated (M20.3 x 30mm x 1.5mm) | 1 | 4 |
| 34 | | | Screw, Socket Head (M6 x 50) | 1 | 4 |
| 35 | | | Nut, w/ Insert, HFR (M6) | 1 | 4 |
| 36 | | | Bracket, Axle, Quick Release - Right | 1 | 1 |
| 36 | | | Bracket, Axle, Quick Release - Left | 1 | 1 |
| 36 | | 1514323-0618 | Bracket, Axle, Quick Release - Right | 1 | 1 |
| 36 | | 1514324-0618 | Bracket, Axle, Quick Release - Left | 1 | 1 |

Rear Wheels - Axle Plates and Hardware

NOTE: A - Includes items 2 - 8. Used on Myon/Myon Junior.
B - Includes items 10 - 16. Used on Myon/Myon Junior.
C - Includes items 18-28. Used on Myon and Myon Junior w/ Dual Amputee Setup.
D - Includes items 30-36. Used on Myon Active.