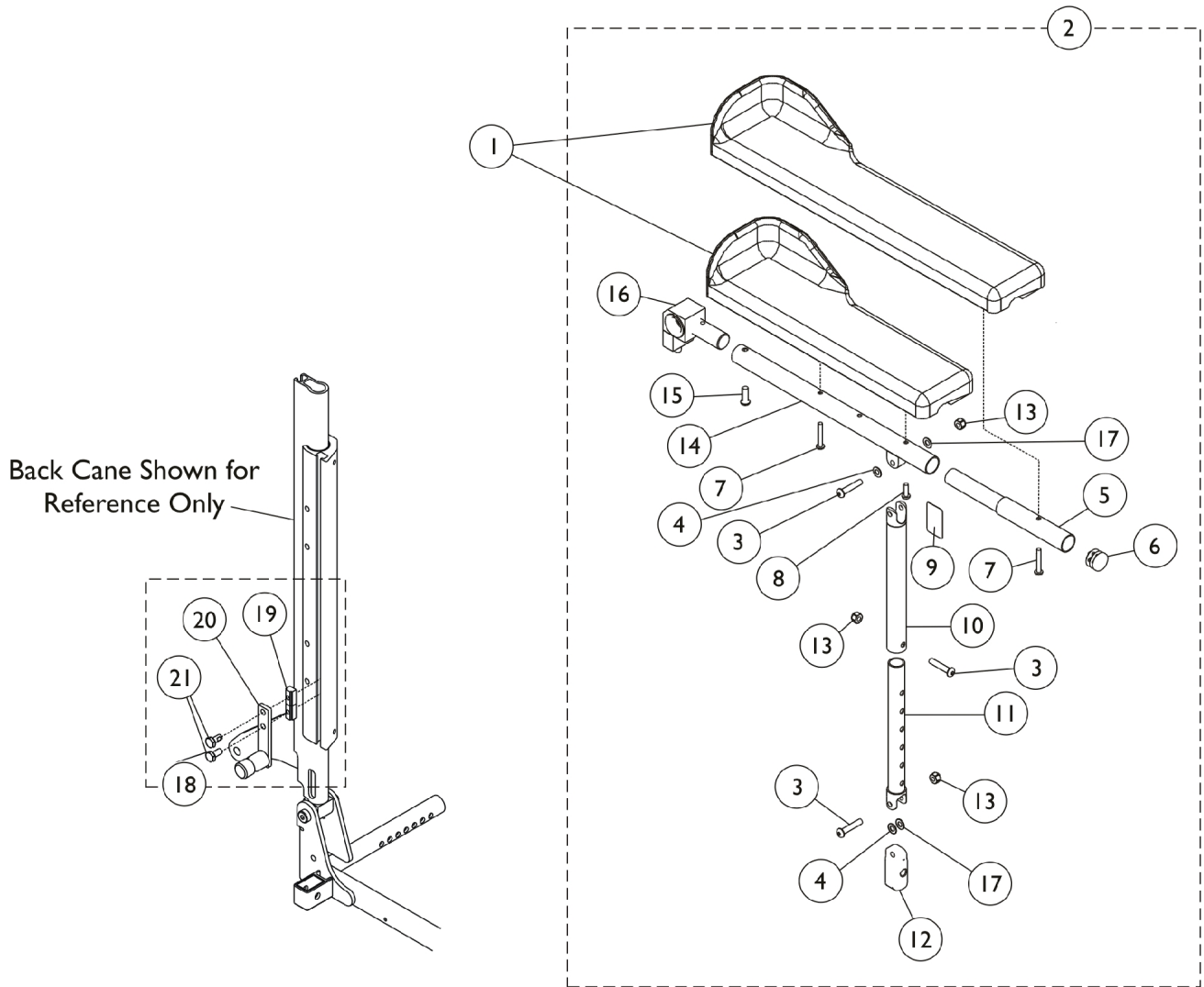


Armrest Assembly

Recline Only (2GR) & Tilt/Recline (2GTR)



Armrest Assembly

Recline Only (2GR) & Tilt/Recline (2GTR)

Item Number	Note	Part Number	Description	Quantity Per	
				Package	Assembly
1		1082910	Pad, Arm w/ Elbow Stop, Desk Length, Urethane, Black - Right (13" L x 3" W)	1	1
1		1082911	Pad, Arm w/ Elbow Stop, Desk Length, Urethane, Black - Left (13" L x 3" W)	1	1
1		1090190	Kit, Arm Pad w/ Screws and Elbow Stop, Desk Length, Urethane, Black (13" L x 3" W) (Pair)	2	1
1		1082912	Pad, Arm w/ Elbow Stop, Full Length, Urethane, Black - Right (17" L x 3" W)	1	1
1		1082913	Pad, Arm w/ Elbow Stop, Full Length, Urethane, Black - Left (17" L x 3" W)	1	1
1		1090191	Kit, Arm Pad w/ Screws and Elbow Stop, Full Length, Urethane, Black (17" L x 3" W) (Pair)	2	1
2	A,H	1086992	Arm Assembly w/o Arm Pad, Desk Length, Black - Right	1	1
2	A,H	1086993	Arm Assembly w/o Arm Pad, Desk Length, Black - Left	1	1
2	B,H	1087012	Arm Assembly w/o Arm Pad, Full Length, Black - Right	1	1
2	B,H	1087013	Arm Assembly w/o Arm Pad, Full Length, Black - Left	1	1
3		1008432	Screw, Socket Button Head (1/4-20 x 1-1/4")	1	3
4		1026103	Washer, Nylon (1/4 x 1/2 x 1/32")	1	2
5		0028202	Tube, Extension, Full Length	1	1
6		1027095	Plug Button, Black (7/8")	1	1
7		1107155	Screw, Phillips Pan Head Tap (#10-32 x 1-1/4")	1	2
8	D	1028755	Screw, Phillips Pan Head (#10-32 x 5/8")	1	1
8	E	1107155	Screw, Phillips Pan Head Tap (#10-32 x 1-1/4")	1	1
9		1079203	Decal, Warning Pinch Point	1	1
10	F	1115392	Tube, Arm, Support, Black	1	1
11	F	1115393-NLA	NLA - Tube, Slide, Adjustable, Black	1	1
12		1082842	Plug, Arm, Black	1	1
13		7930333	Locknut (1/4-20)	25	1
14		1082927	Tube, Arm, Black	1	1
15		1091870	Screw, Socket Button Head w/ Patch (1/4-20 x 3/4")	1	1
16	I	1095437	Arm Pivot Assembly	1	1
17		1165484-NLA	NLA - Washer, Nylon (1/4 x 1/2 x 1/32")	1	2
18	C	1086990-NLA	NLA - Hardware, Arm Attaching	1	1
19		1082699	T-Nut (1/4-20)	1	2
20		1086932-NLA	NLA - Pivot, Back Arm	1	1
21		1078214	Screw, Hex Head w/ Patch (1/4-20 x 1/2")	1	2
	G	1119268-NLA	NLA - Kit, Slide Tube w/ Arm Support (Pair)	2	1

Armrest Assembly

Recline Only (2GR) & Tilt/Recline (2GTR)

NOTE: A - Includes Items 3,4,6, and 9-17
B - Includes Items 3-6 and 8-17
C - Includes Items 18-21
D - Used for full length arms only
E - Used for desk length arms only
F - Item 10 and 11 tube length was changed and item 11 went from 5 to 6 adjustment holes revising the adjustable arm height from 9"-13" to 11"-16". For systems made before 4/21/03, order slide tube/arm support assembly part number 1119268.
G - Not Shown. Assembly includes 2 ea. of item numbers 9, 10 and 11
H - When placing an order for item 2, you must specify as a note "For Tarsys 2GTR seating" or "For Formula TRE seating".
I - The Arm Pivot Assembly Pin faces down for the Tarsys 2GTR and faces up for the Formula TRE powered seating