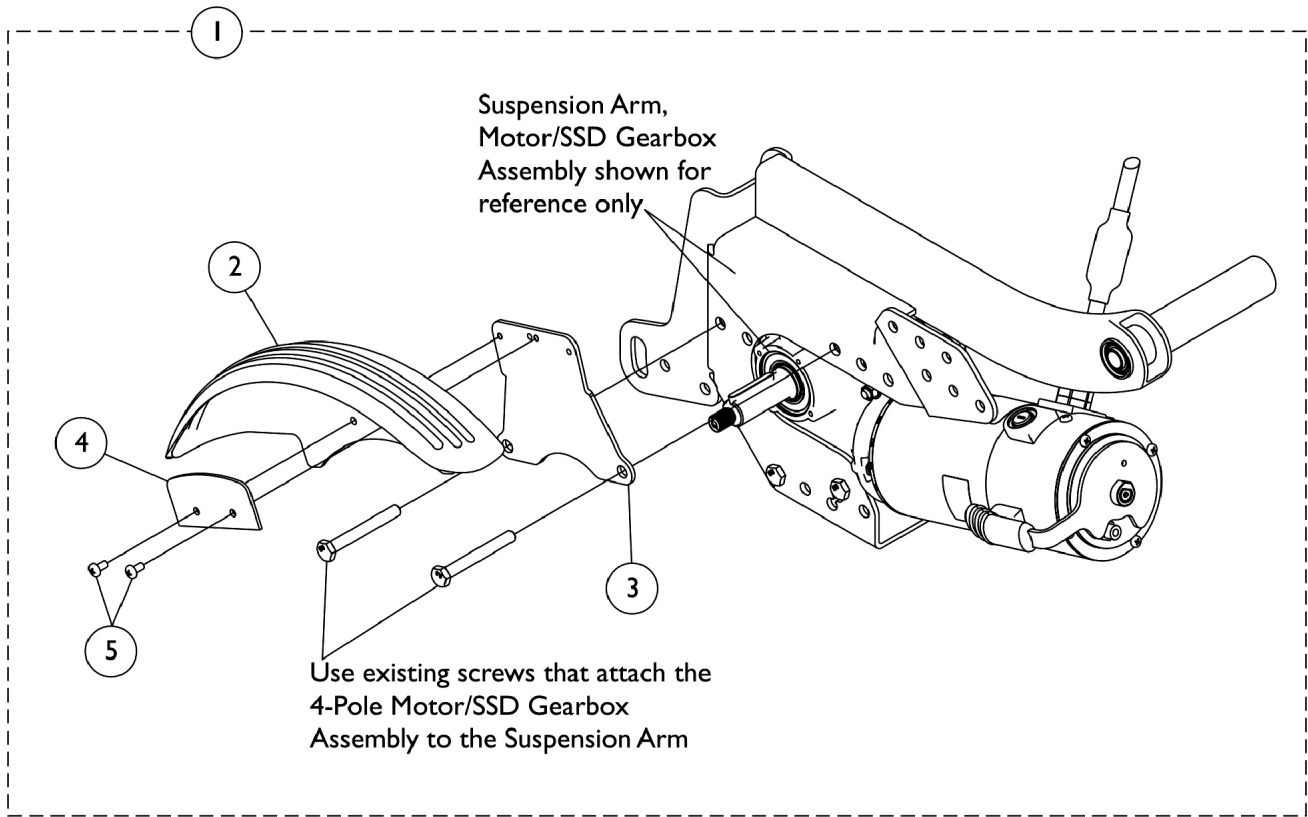


Fender Assembly (4 Pole Motors After 8/16/10 US and Canada)



Item Number	Note	Part Number	Description	Quantity Per	
				Package	Assembly
1	A	1169650	Kit, Fender Assembly w/ Instruction Sheet, 4-Pole Motor Suspension Arm (Pair)	1	1
2			Fender, Black	1	2
3			Bracket, Fender Mounting, 4-Pole Motor, Black	1	2
4			NLA - Spacer, Fender, Black	1	2
5			Screw, Phillips Pan Head Tap (#10-32 x 3/8")	1	2
			Instruction Sheet, Fender Assembly	1	1

NOTE: A - Includes items 2-5 and Instruction Sheet.