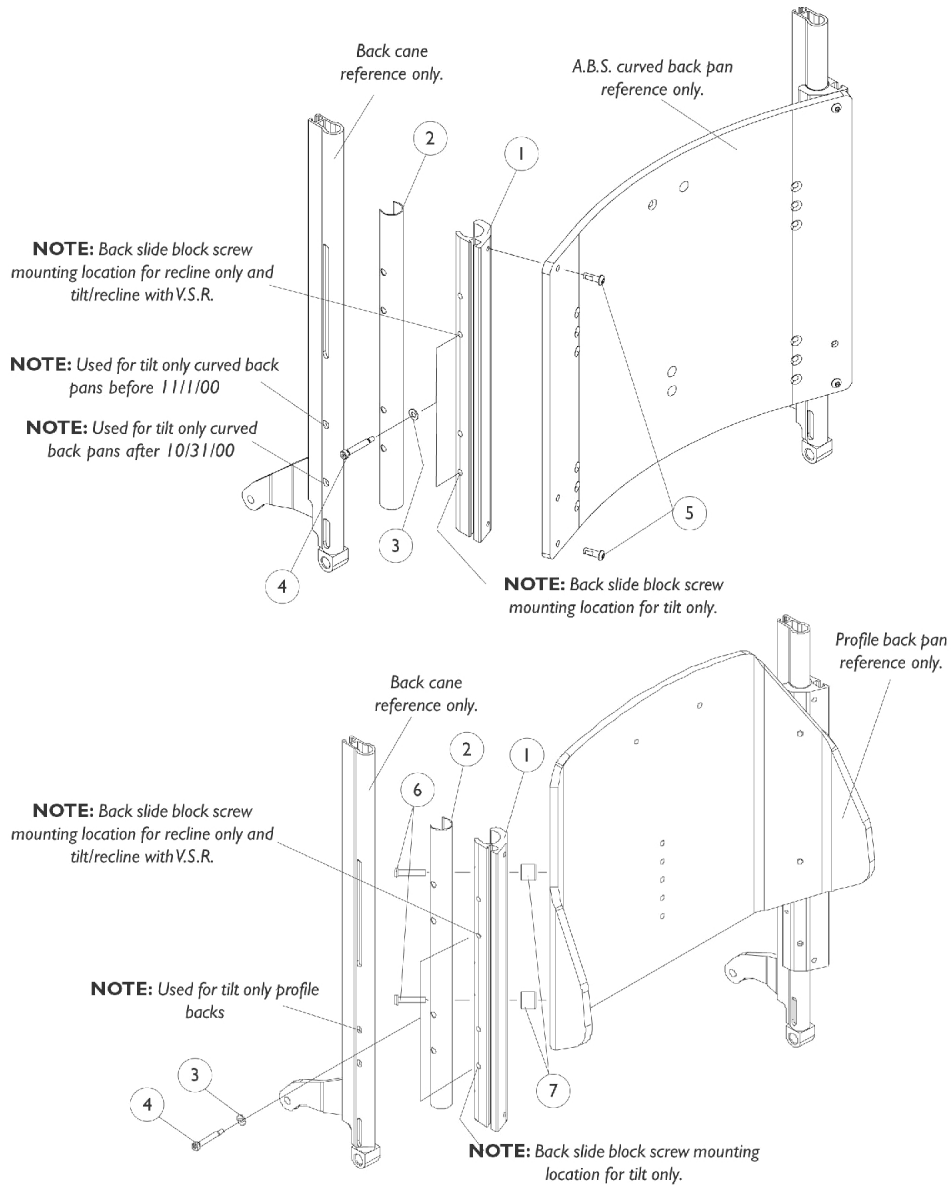


Back Assembly Mounting Hardware

A.B.S. Curved & Profile

NOTE: Items 1, 2 and mounting hardware may be required when changing back styles or back cane heights.

NOTE: See back mounting hardware under accessories when attaching a profile back to 7/8" round canes.



Back Assembly Mounting Hardware

A.B.S. Curved & Profile

NOTE: Items 1, 2 and mounting hardware may be required when changing back styles or back cane heights.

NOTE: See back mounting hardware under accessories when attaching a profile back to 7/8" round canes.

#1 Back Slide Block

Seating System	Back Type	20"-21" Back Height	22"-23" Back Height	24"-25" Back Height	26"-27" Back Height	28" Back Height
Tilt Only Before 11/1/00	Curved	1082915-NLA	1082916-NLA	1082917-NLA	1082918-NLA	1082919
Tilt Only	Profile	1082915-NLA	1082915-NLA	1082915-NLA	1082915-NLA	1082915-NLA
Recline Only and Tilt/Recline w/VSR	Curved	1082914-NLA	1082915-NLA	1082916-NLA	1082917-NLA	1082918-NLA
Recline Only and Tilt/Recline w/VSR	Profile	1082915-NLA	1082915-NLA	1082915-NLA	1082915-NLA	1082915-NLA

#1 Back Slide Block (Tilt Only A.B.S. Curved After 10/31/00)

Seating System	Back Type	20" Back Height	21"-22" Back Height	23"-24" Back Height	25" Back Height
Tilt Only After 10/31/00 See Note(s) A	Curved	1082916-NLA	1082917-NLA	1082918-NLA	1082919

NOTE: A - After 10/31/00 spacing between the seat pan and lower side of the back pan was decreased 3" by adding 3" to the back pan material. Overall back height did not change.

#2 Back Slide Sleeve

Seating System	Back Type	20"-21" Back Height	22"-23" Back Height	24"-25" Back Height	26"-27" Back Height	28" Back Height
Tilt Only	Curved	1082943-NLA	1082944-NLA	1082945-NLA	1082946-NLA	1082947-NLA
Tilt Only	Profile	1082943-NLA	1082943-NLA	1082943-NLA	1082943-NLA	1082943-NLA
Recline Only and Tilt/Recline w/ VSR	Curved	1082942-NLA	1082943-NLA	1082944-NLA	1082945-NLA	1082946-NLA
Recline Only and Tilt/Recline w/ VSR	Profile	1082943-NLA	1082943-NLA	1082943-NLA	1082943-NLA	1082943-NLA

Back Assembly Mounting Hardware

A.B.S. Curved & Profile

NOTE: Items 1, 2 and mounting hardware may be required when changing back styles or back cane heights.

NOTE: See back mounting hardware under accessories when attaching a profile back to 7/8" round canes.

#2 Back Slide Sleeve (Tilt Only A.B.S. Curved After 10/31/00)

Seating System	Back Type	20" Back Height	21"-22" Back Height	23"-24" Back Height	25" Back Height
Tilt Only After 10/31/00 See Note(s) A	Curved	1082944-NLA	1082945-NLA	1082946-NLA	1082947-NLA

NOTE: A - After 10/31/00 spacing between the seat pan and lower side of the back pan was decreased 3" by adding 3" to the back pan material. Overall back height did not change.

Item Number	Note	Part Number	Description	Quantity Per	
				Package	Assembly
1		See Chart	#1 Back Slide Block	1	2
1		See Chart	#1 Back Slide Block (Tilt Only A.B.S. Curved After 10/31/00)	1	2
2		See Chart	#2 Back Slide Sleeve	1	2
2		See Chart	#2 Back Slide Sleeve (Tilt Only A.B.S. Curved After 10/31/00)	1	2
3		1026907	Washer (1/4 x 1/2 x 1/16")	1	2
4		1000212	Screw, Shoulder Hex Socket (1/4 x 1-1/4", #10-24)	1	2
5		1091870	Screw, Socket Button Head w/ Patch (1/4-20 x 3/4")	1	4
6	B	1008432	Screw, Socket Button Head (1/4-20 x 1-1/4")	1	4
6	F	1091870	Screw, Socket Button Head w/ Patch (1/4-20 x 3/4")	1	4
7		1090131-NLA	NLA - Spacer (1/4 x 3/4 x 5/8")	1	4
	A,C	1086994-NLA	NLA - Hardware, Attaching, A.B.S. Curved Back	1	1
	A,D	1086996-NLA	NLA - Hardware, Attaching, Profile Back (17",19",21" W)	1	1
	A,E	1086995-NLA	NLA - Hardware, Attaching, Profile Back (16",18",20",22" W)	1	1

NOTE: A - Not Shown
 B - 17",19" and 21" Wide
 C - Includes Items 3-5
 D - Includes Items 3,4,6 and 7
 E - Includes Items 3,4 and 6
 F - 16",18", 20" and 22" Wide