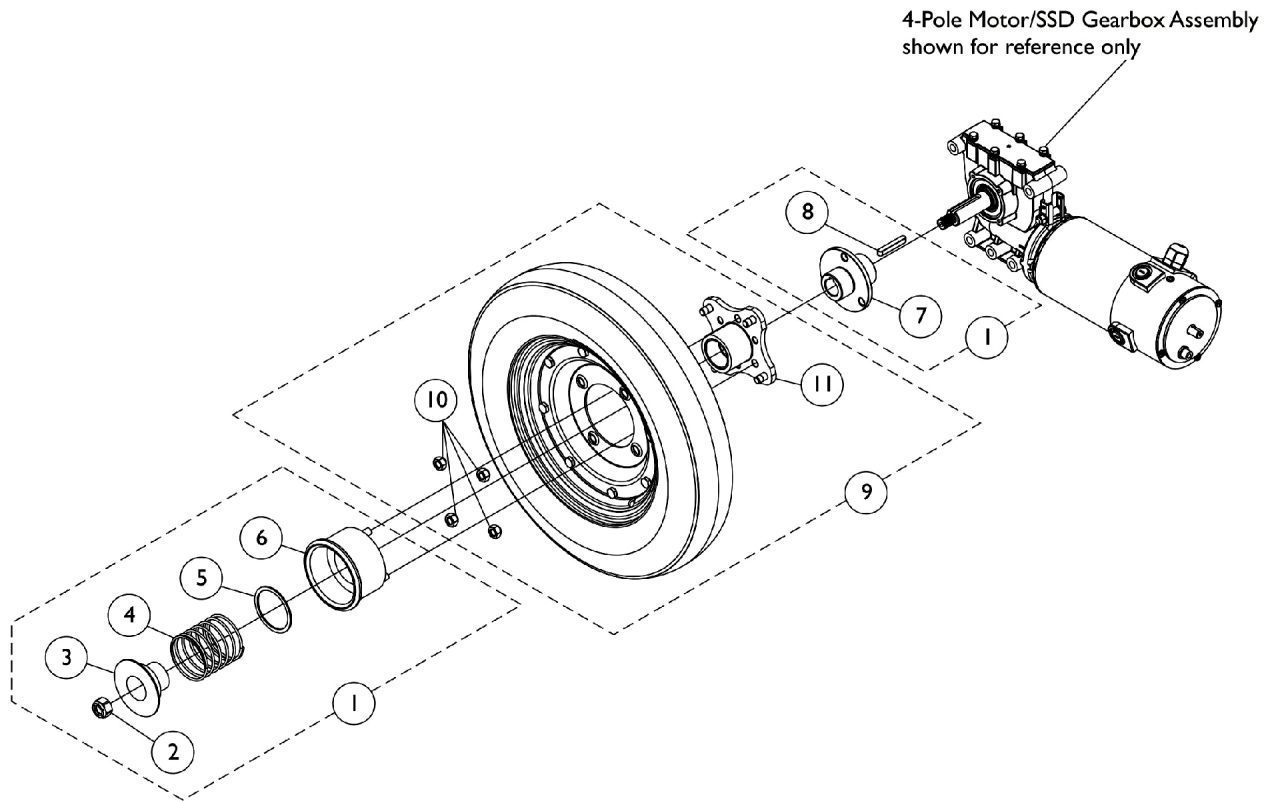


Free Wheel Hub Mount and Hardware (4 Pole Motors After 8/16/10 US and Canada)

NOTE: To change a Non-Free Wheel Hub to a Free Wheeling Hub, see Free Wheel Hub Kits page.



Free Wheel Hub Mount and Hardware (4 Pole Motors After 8/16/10 US and Canada)

NOTE: To change a Non-Free Wheel Hub to a Free Wheeling Hub, see Free Wheel Hub Kits page.

| Item Number | Note | Part Number | Description | Quantity Per | |
|---|------|-------------|--|--------------|----------|
| | | | | Package | Assembly |
| 1 | A | 1169180 | Kit, Free Wheel Hub Assembly | 1 | 1 |
| 2 | | | Locknut (M12 x 1.5) | 1 | 1 |
| 3 | | | Washer, Cup, SSD | 1 | 1 |
| 4 | | | NLA - Spring, Compression (2-3/32 x 2-1/4 x 3/32") | 1 | 1 |
| 5 | | | NLA - Washer, Flat (1-13/16 x 2-1/8 x 1/16") | 1 | 1 |
| 6 | | | Knob, Engagement, Black | 1 | 1 |
| 7 | | | Sleeve, Axle | 1 | 1 |
| 8 | | | Key (6mm x 6mm x 40mm) | 1 | 1 |
| 9 | B | 1081358 | Drive Wheel Assembly, Pneumatic w/ Hub, Grey Tire/Black Rim (14 x 3") | 1 | 1 |
| 9 | B | 1081359 | Drive Wheel Assembly, Flat Free w/ Hub, Grey Tire/Black Rim (14 x 3") | 1 | 1 |
| 9 | B | 1081362-NLA | NLA - Drive Wheel Assembly, Pneumatic w/ Hub, Grey Tire/Black Rim (14 x 4") | 1 | 1 |
| 9 | B | 1081363 | Drive Wheel Assembly, Flat Free w/ Hub, Grey Tire/Black Rim (14 x 4") | 1 | 1 |
| NOTE: A - Includes items 2-8, Instruction Sheet and used for 14" x 3" and 14" x 4" Drive Wheels B - Includes the Drive Wheel and items 10 and 11 | | | | | |