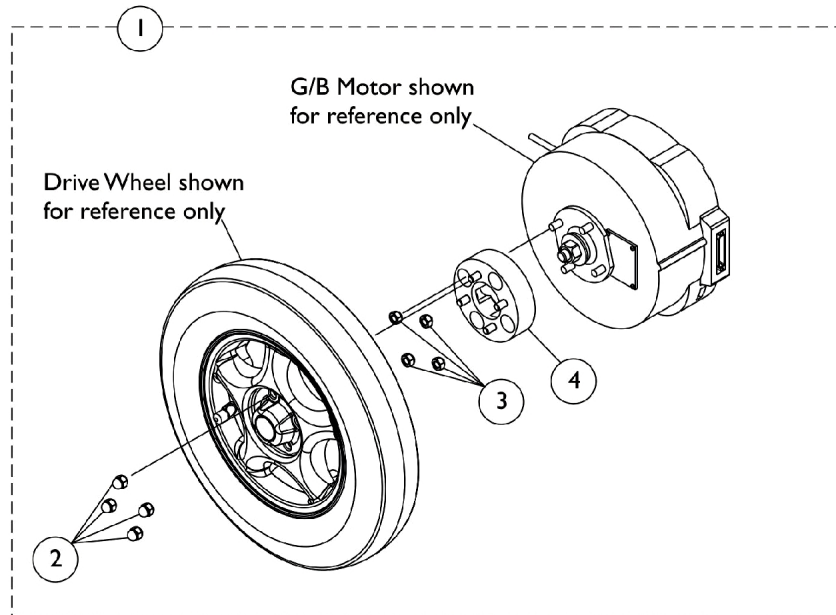


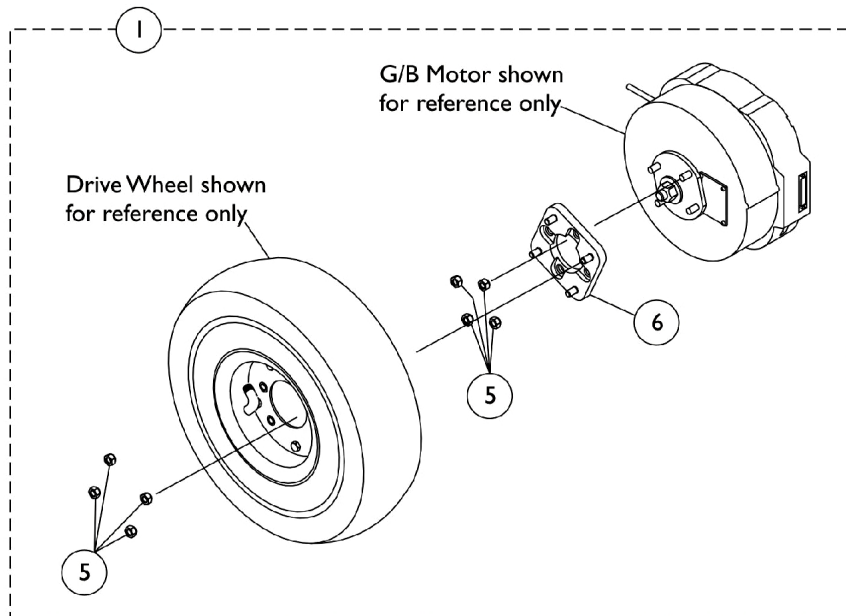
Non-Free Wheel Hub Mount and Hardware

GB Non-Heavy Duty Motors

NOTE: New drive wheel mounting hardware must be ordered when converting from (14" x 3") to (14" x 4") drive wheels.



14" x 3" Drive Wheel with Gearless/Brushless Motor



14" x 4" Drive Wheel with Gearless/Brushless Motor

Non-Free Wheel Hub Mount and Hardware

GB Non-Heavy Duty Motors

NOTE: New drive wheel mounting hardware must be ordered when converting from (14" x 3") to (14" x 4") drive wheels.

Item Number	Note	Part Number	Description	Quantity Per	
				Package	Assembly
1	A	1104843	Kit, Drive Wheel Mounting Hardware (14" x 3")	1	1
1	B	1079258-NLA	NLA - Hardware, Drive Wheel Mounting (14" x 4")	1	1
2		1100580	Nut, Beveled Hex (5/16-24)	1	1
3		1024444	Locknut (5/16-24)	1	4
4		1100579-NLA	NLA - Spacer, G/ B Motor	1	1
5		1024444	Locknut (5/16-24)	1	8
6		1078242-NLA	NLA - Plate, Adapter with Studs	1	1
NOTE: A - Includes items 2-4. For GB Motor with 14" x 3" Drive Wheel					
B - Includes items 5 and 6. For GB Motor with 14" x 4" Drive Wheel					