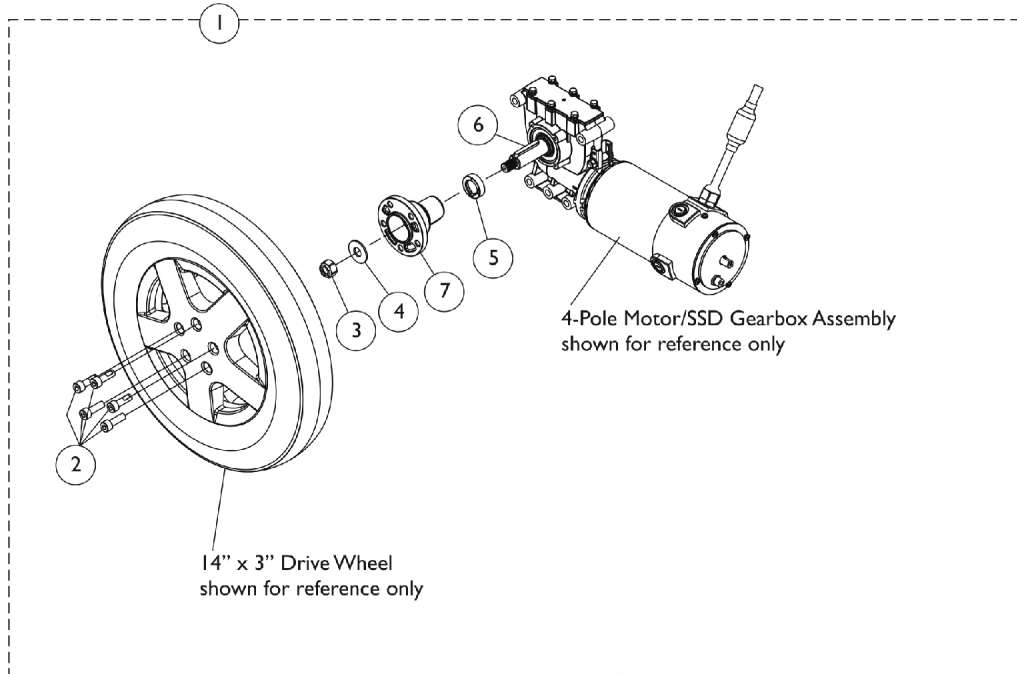
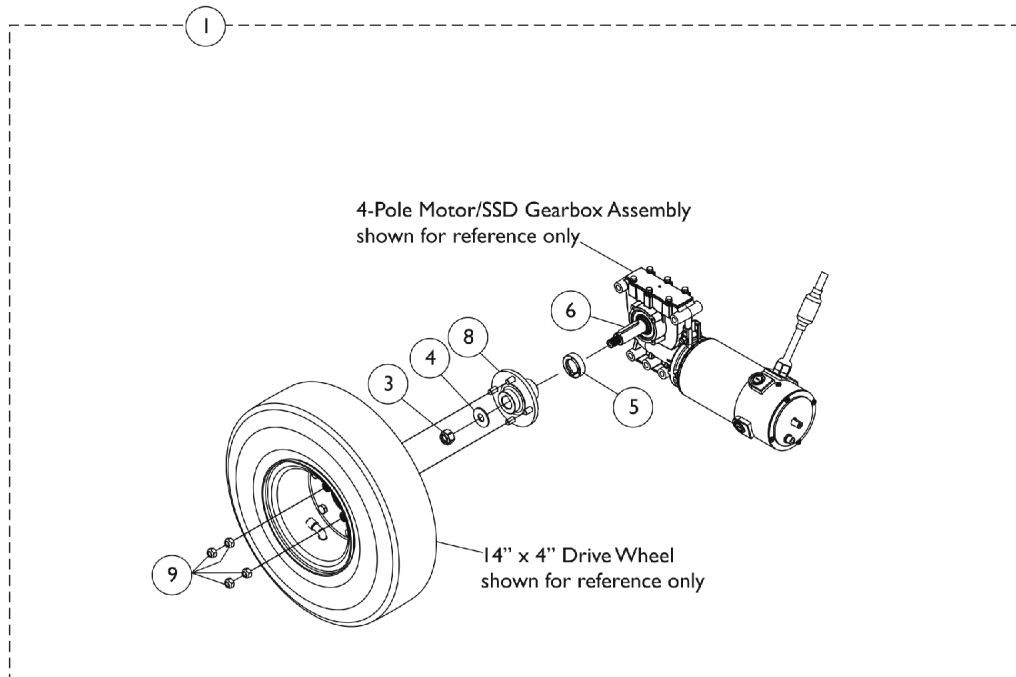


Non-Free Wheel Hub Mount and Hardware (4 Pole Motors After 8/16/10 US and Canada)

NOTE: New drive wheel mounting hardware must be ordered when converting from (14" x 3") to (14" x 4") drive wheels.



14" x 3" Drive Wheel with 4-Pole Motor/SSD Gearbox Assembly



14" x 4" Drive Wheel with 4-Pole Motor/SSD Gearbox Assembly

Non-Free Wheel Hub Mount and Hardware (4 Pole Motors After 8/16/10 US and Canada)

NOTE: New drive wheel mounting hardware must be ordered when converting from (14" x 3") to (14" x 4") drive wheels.

Item Number	Note	Part Number	Description	Quantity Per	
				Package	Assembly
1	A	1168890	Kit, 2-Pole Motor Drive Wheel Mounting Hardware (14" x 3")	1	1
2			Screw, Socket Head w/ Patch (M8 x 1.25 x 25mm)	1	5
3			Locknut (M12 x 1.5)	1	1
4			Washer, Plain (12.38mm x 30mm x 2mm)	1	1
5			Spacer, Hub (8mm)	1	1
6			Key (6mm x 6mm x 40mm)	1	1
7			Hub, Wheel (14" x 3")	1	1
1	B	1169651	Kit, Drive Wheel Mounting Hardware (14" x 4")	1	1
3			Locknut (M12 x 1.5)	1	1
4			Washer, Plain (12.38mm x 30mm x 2mm)	1	1
5			Spacer, Hub (8mm)	1	1
6			Key (6mm x 6mm x 40mm)	1	1
8			Locknut (5/16-24)	1	4
9			Hub, Wheel (14" x 4")	1	1

NOTE: A - Includes items 2-7. This kit is used on FDX models with 2-Pole Motors and also used for 4-Pole Motors on 3G Storm Series models with a 14" x 3" Drive Wheel.
 B - Includes items 3-6, 8 and 9. This kit used for 4-Pole Motors on 3G Storm Series models with a 14" x 4" Drive Wheel.