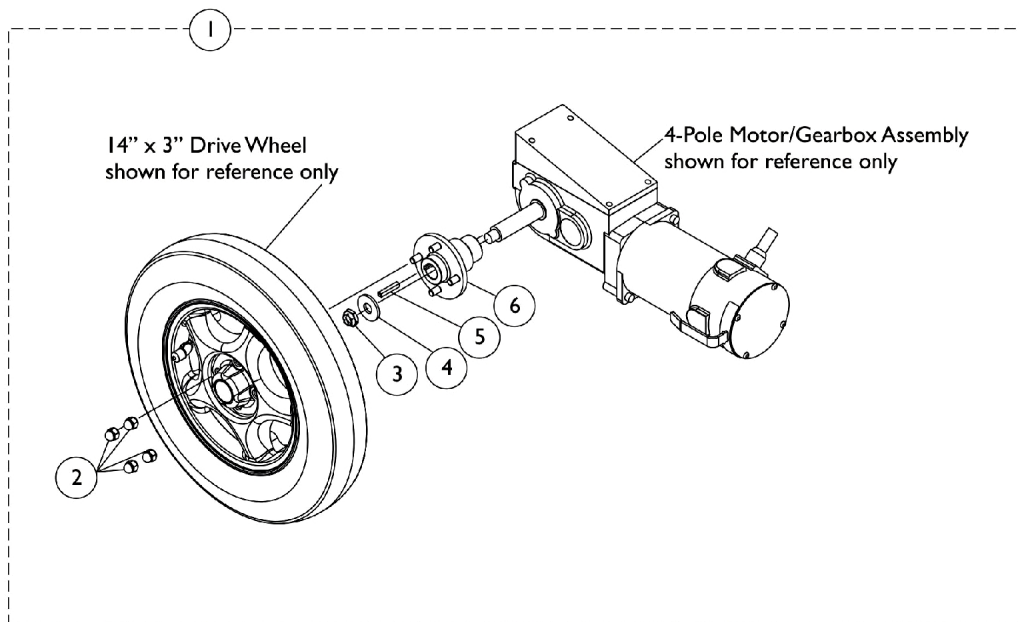
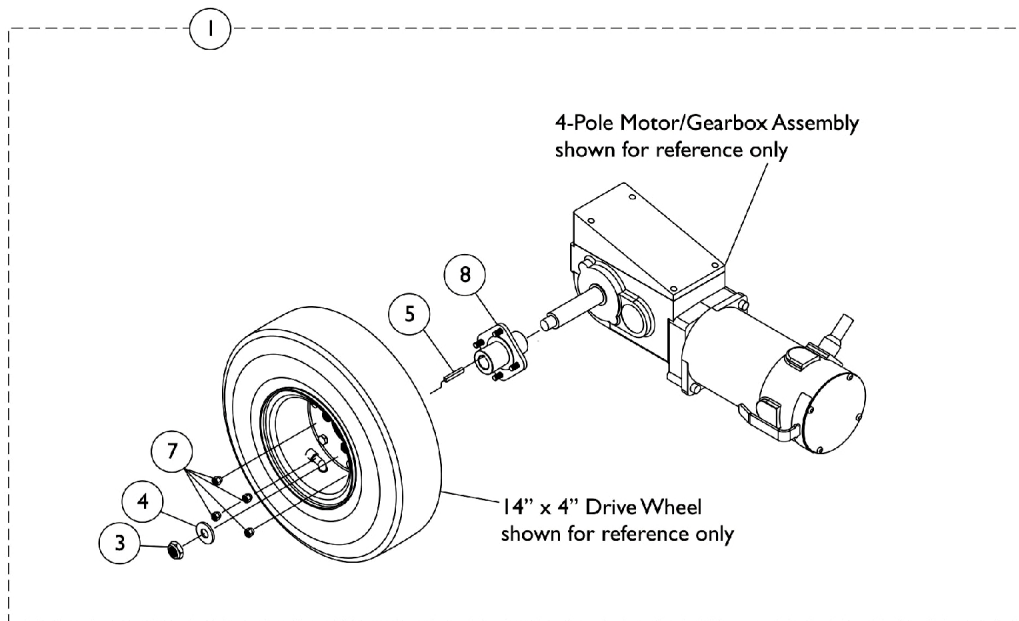


Non-Free Wheel Hub Mount and Hardware (4 Pole Motors Before 8/17/10 US and Canada)

NOTE: New drive wheel mounting hardware must be ordered when converting from (14" x 3") to (14" x 4") drive wheels.



14" x 3" Drive Wheel with 4-Pole Motor/Gearbox Assembly



14" x 4" Drive Wheel with 4-Pole Motor/Gearbox Assembly

Non-Free Wheel Hub Mount and Hardware (4 Pole Motors Before 8/17/10 US and Canada)

NOTE: New drive wheel mounting hardware must be ordered when converting from (14" x 3") to (14" x 4") drive wheels.

Item Number	Note	Part Number	Description	Quantity Per	
				Package	Assembly
1	A	1104844	Kit, Drive Wheel Mounting Hardware (14" x 3")	1	1
1	B	1064355-NLA	Kit, Drive Wheel Mounting Hardware (14" x 4")	1	1
2		1100580	Nut, Beveled Hex (5/16-24)	1	4
3		1001979	Locknut (1/2-20)	1	1
4		1036933	Washer (1/2 x 1-9/32 x 1/8")	1	1
5		1000180	Key (3/16 x 1-1/4")	1	1
6		1100574	Hub, Wheel (14" x 3")	1	1
7		1024444	Locknut (5/16-24)	1	4
8		1063339-NLA	NLA - Hub, Wheel (14" x 4")	1	1

NOTE: A - Includes items 2-6. For 4-Pole Motor/Gearbox with 14" x 3" Wheel
 B - Includes items 3-5, 7 and 8. For 4-Pole Motor/Gearbox with 14" x 4" Wheel