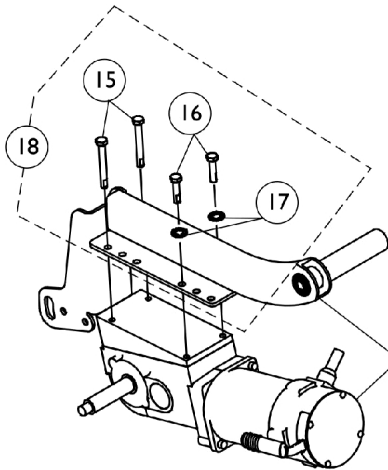
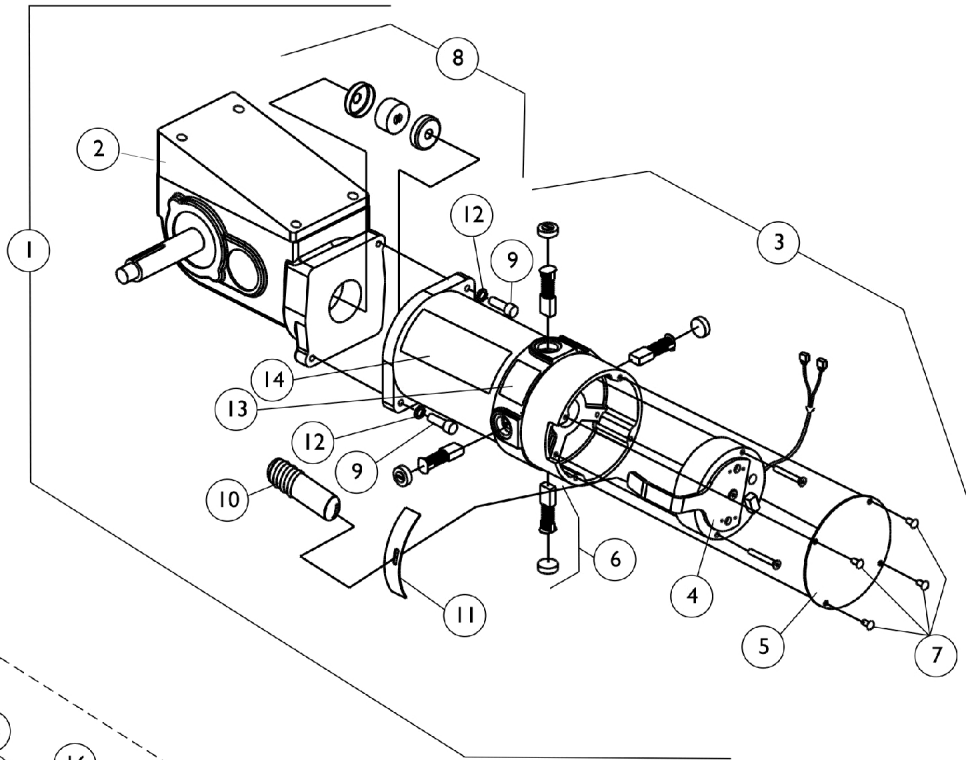
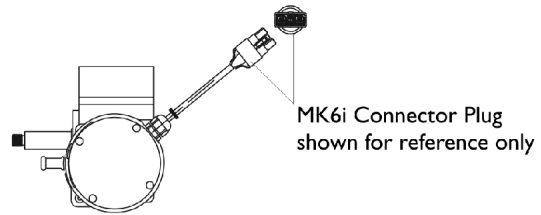
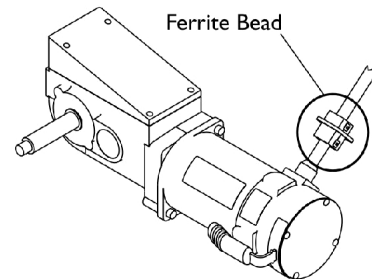


# 4-Pole Motors and Gearboxes For MK6i Electronics

For MK6i Electronics (US and Canada 10/09/06 - 8/16/10)



Suspension Arm and 4-Pole  
Motor/Gearbox shown for  
reference only



Motor/Gearbox with a Ferrite Bead

# 4-Pole Motors and Gearboxes For MK6i Electronics

For MK6i Electronics (US and Canada 10/09/06 - 8/16/10)

Torque SP w/ (PERF) (Std.) & Torque SE (Optional Thru 4/8/07, Std. After 4/8/07)

Item Number	Description	(PERF) Torque SP (Standard) & Torque SE (Optional Thru 4/8/07, Std. After 4/8/07) Right Side	(PERF) Torque SP (Standard) & Torque SE (Optional Thru 4/8/07, Std. After 4/8/07) Left Side
		See Note(s) B	See Note(s) B
1.	Motor/ Gearbox	1144775-NLA	1144776-NLA
1.	Motor/ Gearbox with Ferrite Bead	1153665-NLA See Note(s) D	1153666-NLA See Note(s) D
2.	Gear Box	1086223 See Note(s) C	1086224-NLA See Note(s) C
3.	Motor Assembly with Decals See Note(s) A	1145482	1145483
3.	Motor Assembly with Decals and Ferrite Bead	1153671-NLA See Note(s) D	1153672-NLA See Note(s) D
4. See Note(s) F	Brake Repair Kit	1070294-NLA See Note(s) F	1070295-NLA See Note(s) F
5.	Brake Cover with Screws	1104402-NLA	1104402-NLA
6.	Brushes w/ Caps	1070296-NLA See Note(s) E	1070296-NLA See Note(s) E
7.	Screw, SHC (8-32 x 1/4")	See Item 5	See Item 5
8.	Coupling w/ Cup (1-5/16" Diameter)	50000X007-NLA	50000X007-NLA
9.	Screw, SHC (1/4-20 x 1-1/8")	1043594 See Note(s) C	1043594 See Note(s) C
9.	Screw, SHC (M6 x 1 x 20MM)	1108978 See Note(s) C	1108978 See Note(s) C
10.	Cap, Brake Lever End	1101725	1101725
11.	Slotted Plate	1082985-NLA	1082985-NLA
12.	Lockwasher (1/4 x 1/2 x 1/16")	10502X001-NLA	10502X001-NLA
13.	Decal, Drive/Push	1104797	1104797
14.	Decal, 3200 RPM	1104798-NLA	1104798-NLA
15.	Screw, HHC w/ Patch (5/16-18 x 2-1/2")	1043628-NLA	1043628-NLA
16.	Screw, HHC w/ Patch (5/16-18 x 1-1/4")	1104257	1104257
17. See Note(s) G	Washer, Lock Internal Tooth (M8)	1023263-NLA See Note(s) G	1023263-NLA See Note(s) G
18.	Motor Mounting Hardware (Per Side)	1104894-NLA	1104894-NLA
Not Shown	Instruction Sheet, Decal Application	1104913	1104913

# 4-Pole Motors and Gearboxes For MK6i Electronics

## For MK6i Electronics (US and Canada 10/09/06 - 8/16/10)

NOTE: A - Decal application instruction sheet is included.  
B - Performance package (PERF) offered on a TorqueSP & Torque SE provides a 6.5 MPH rating.  
C - When a new gearbox or mounting screws are ordered, (2 ea.) metric and (2 ea.) non-metric screws (item 9) must be ordered. Invacare Corp. utilizes alternate suppliers for this part number.  
D - Motors with a ferrite bead attached are used when a Formula CG Powered Seating System is ordered with smart actuators (SMTACTS).The ferrite bead is a non-serviceable item.  
E - Kit includes (4) Brushes, (4) Brush Caps and Instruction Sheet.  
F - Use existing screws when installing the Brake Repair Kit. The Motor Brake Mounting Screws are not saleable.  
G - Part #1023263 is no longer available as a service part individually. See item 18 part #1104894 as a replacement.

# 4-Pole Motors and Gearboxes For MK6i Electronics

For MK6i Electronics (US and Canada 10/09/06 - 8/16/10)

Ranger X (Std.) (400 Lb. Limit) & Torque SE (Std. Thru 4/8/07, see PERF After 4/8/07)  
(300 Lb. Limit)

Item Number	Description	Ranger X (Std.) (400 Lb. Limit) & Torque SE (Std. Thru 4/8/07, see PERF After 4/8/07) (300 Lb. Limit) Right Side	Ranger X (Std.) (400 Lb. Limit) & Torque SE (Std. Thru 4/8/07, see PERF After 4/8/07) (300 Lb. Limit) Left Side
1.	Motor/ Gearbox	1144777	1144778
1.	Motor/ Gearbox with Ferrite Bead	1153667-NLA See Note(s) C	1153668-NLA See Note(s) C
2.	Gear Box	1086225-NLA See Note(s) B	1086226-NLA See Note(s) B
3.	Motor Assembly with Decals See Note(s) A	1145482	1145483
3.	Motor Assembly with Decals and Ferrite Bead See Note(s) A	1153671-NLA See Note(s) C	1153672-NLA See Note(s) C
4.	Brake Repair Kit	1070294-NLA See Note(s) E	1070295-NLA See Note(s) E
5.	Brake Cover with Screws	1104402-NLA	1104402-NLA
6.	Brushes w/ Caps	1070296-NLA See Note(s) D	1070296-NLA See Note(s) D
7.	Screw, SHC (8-32 x 1/4")	See Item 5	See Item 5
8.	Coupling w/ Cup (1-5/16" Diameter)	50000X007-NLA	50000X007-NLA
9.	Screw, SHC (1/4-20 x 1-1/8")	1043594 See Note(s) B	1043594 See Note(s) B
9.	Screw, SHC (M6 x 1 x 20MM)	1108978 See Note(s) B	1108978 See Note(s) B
10.	Cap, Brake Lever End	1101725	1101725
11.	Slotted Plate	1082985-NLA	1082985-NLA
12.	Lockwasher (1/4 x 1/2 x 1/16")	10502X001-NLA	10502X001-NLA
13.	Decal, Drive/Push	1104797	1104797
14.	Decal, 3200 RPM	1104798-NLA	1104798-NLA
15.	Screw, HHC w/ Patch (5/16-18 x 2-1/2")	1043628-NLA	1043628-NLA
16.	Screw, HHC w/ Patch (5/16-18 x 1-1/4")	1104257	1104257
17. See Note(s) F	Washer, Lock Internal Tooth (M8)	1023263-NLA See Note(s) F	1023263-NLA See Note(s) F
18.	Motor Mounting Hardware (Per Side)	1104894-NLA	1104894-NLA
Not Shown	Instruction Sheet, Decal Application	1104913	1104913

# 4-Pole Motors and Gearboxes For MK6i Electronics

## For MK6i Electronics (US and Canada 10/09/06 - 8/16/10)

NOTE: A - Decal application instruction sheet is included.  
B - When a new gearbox or mounting screws are ordered, (2 ea.) metric and (2 ea.) non-metric screws (item 9) must be ordered. Invacare Corp. utilizes alternate suppliers for this part number.  
C - Motors with a ferrite bead attached are used when a Formula CG Powered Seating System is ordered with smart actuators (SMTACTS). Torque SE models do not use smart actuators. The ferrite bead is a non-serviceable item.  
D - Kit includes (4) Brushes, (4) Brush Caps and Instruction Sheet.  
E - Use existing screws when installing the Brake Repair Kit. The Motor Brake Mounting Screws are not saleable.  
F - Part #1023263 is no longer available as a service part individually. See item 18 part #1104894 as a replacement.

Torque SE introduced 11/15/06

# 4-Pole Motors and Gearboxes For MK6i Electronics

## For MK6i Electronics (US and Canada 10/09/06 - 8/16/10)

### Torque 3 (Std.)

Item Number	Description	Torque 3 (Std.) (300 Lb. Limit) Right Side	Torque 3 (Std.) (300 Lb. Limit) Left Side
1.	Motor/ Gearbox	1152617	1152618
1.	Motor/ Gearbox with Ferrite Bead	1153669-NLA See Note(s) C	1153670 See Note(s) C
2.	Gear Box	N/A See Note(s) E	N/A See Note(s) E
3.	Motor Assembly with Decals See Note(s) A	1145482	1145483
3.	Motor Assembly with Decals and Ferrite Bead See Note(s) A	1153671-NLA See Note(s) C	1153672-NLA See Note(s) C
4.	Brake Repair Kit	1070294-NLA See Note(s) F	1070295-NLA See Note(s) F
5.	Brake Cover with Screws	1104402-NLA	1104402-NLA
6.	Brushes w/ Caps	1070296-NLA See Note(s) D	1070296-NLA See Note(s) D
7.	Screw, SHC (8-32 x 1/4")	See Item 5	See Item 5
8.	Coupling w/ Cup (1-5/16" Diameter)	50000X007-NLA	50000X007-NLA
9.	Screw, SHC (1/4-20 x 1-1/8")	1043594 See Note(s) B	1043594 See Note(s) B
9.	Screw, SHC (M6 x 1 x 20MM)	1108978 See Note(s) B	1108978 See Note(s) B
10.	Cap, Brake Lever End	1101725	1101725
11.	Slotted Plate	1082985-NLA	1082985-NLA
12.	Lockwasher (1/4 x 1/2 x 1/16")	10502X001-NLA	10502X001-NLA
13.	Decal, Drive/Push	1104797	1104797
14.	Decal, 3200 RPM	1104798-NLA	1104798-NLA
15.	Screw, HHC w/ Patch (5/16-18 x 2-1/2")	1043628-NLA	1043628-NLA
16.	Screw, HHC w/ Patch (5/16-18 x 1-1/4")	1104257	1104257
17. See Note(s) G	Washer, Lock Internal Tooth (M8)	1023263-NLA See Note(s) G	1023263-NLA See Note(s) G
18.	Motor Mounting Hardware (Per Side)	1104894-NLA	1104894-NLA
Not Shown	Instruction Sheet, Decal Application	1104913	1104913

# 4-Pole Motors and Gearboxes For MK6i Electronics

## For MK6i Electronics (US and Canada 10/09/06 - 8/16/10)

NOTE: A - Decal application instruction sheet is included.  
B - When new mounting screws are ordered, (2 ea.) metric and (2 ea.) non-metric screws (item 9) must be ordered. Invacare Corp. utilizes alternate suppliers for this part number.  
C - Motors with a ferrite bead attached are used when a Formula CG Powered Seating System is ordered with smart actuators (SMTACTS). The ferrite bead is a non-serviceable item.  
D - Kit includes (4) Brushes, (4) Brush Caps and Instruction Sheet.  
E - Gearboxes are not available. Refer to the Motor/Gearbox Assembly part numbers for replacement.  
F - Use existing screws when installing the Brake Repair Kit. The Motor Brake Mounting Screws are not saleable.  
G - Part #1023263 is no longer available as a service part individually. See item 18 part #1104894 as a replacement.

Torque 3 introduced 12/19/07