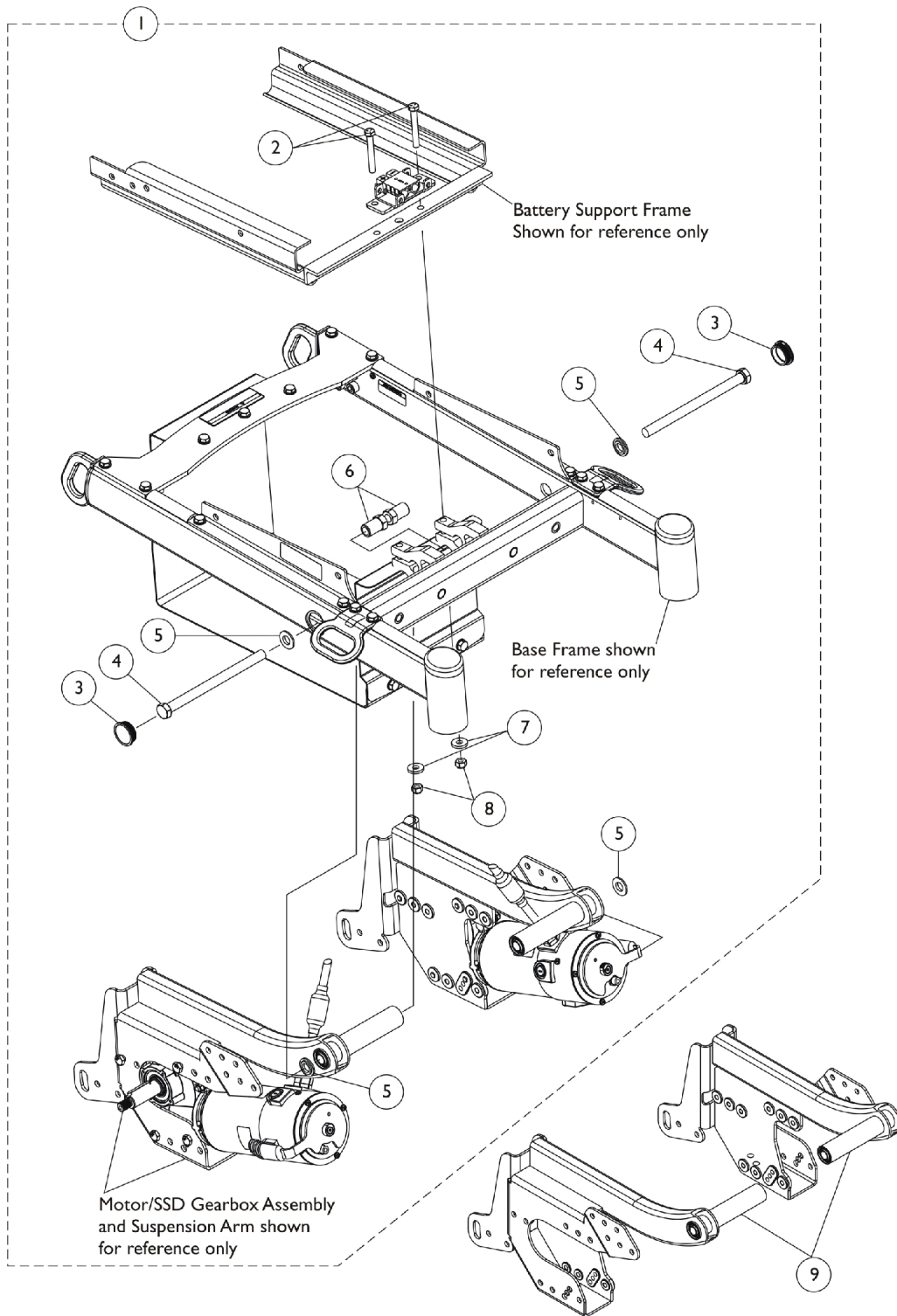


Suspension Arm and Mounting Hardware

4-Pole Motors (US and Canada After 8/16/10)

Suspension Mounting Hardware is used for wheelchairs equipped with TRRO/TRBKTS option and wheelchairs without TRRO/TRBKTS option.



Suspension Arm and Mounting Hardware

4-Pole Motors (US and Canada After 8/16/10)

Suspension Mounting Hardware is used for wheelchairs equipped with TRRO/TRBKTS option and wheelchairs without TRRO/TRBKTS option.

Item Number	Note	Part Number	Description	Quantity Per	
				Package	Assembly
1	A	1169668	Kit, Suspension Arm Mounting Hardware (Pair)	1	1
2			NLA - Screw, Hex Head (5/16-18 x 2-1/4")	1	2
3			Plug Button, Headtube, Black	1	2
4			NLA - Screw, Hex Head (1/2-20 x 7")	1	2
5			NLA - Washer (1/2" I.D. x 7/8" O.D.)	1	4
6			NLA - Nut, Shoulder (1/2-20)	1	2
7			Washer, Flat (21/64 x 53/64 x 7/64")	1	2
8			Locknut (5/16-18)	1	2
9		1169011	Suspension Arm Assembly, SSD, Black - Right	1	1
9		1169012	Suspension Arm Assembly, SSD, Black - Left	1	1
6	B	1142012	Nut, Hex Head Cap Shoulder (1/2-20)	1	2

NOTE: A - Includes items 2-8
 B - Item #6 part number 1142012 Shoulder Nut is used only when a Formula CG Elevate is ordered.