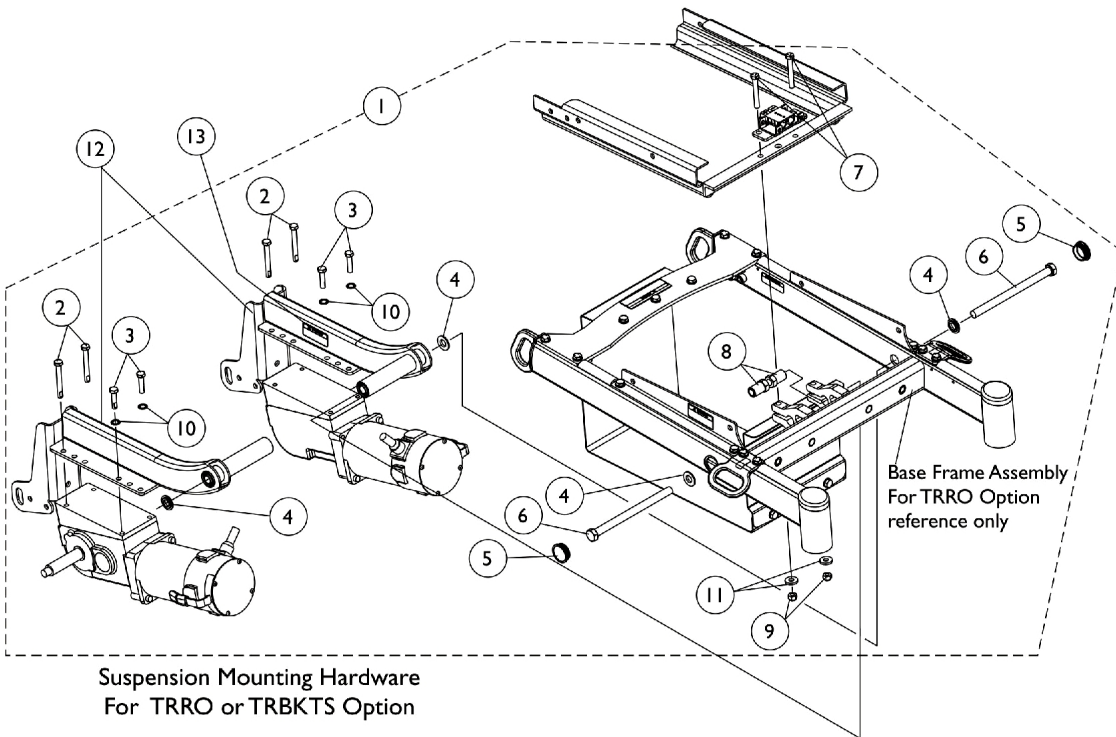
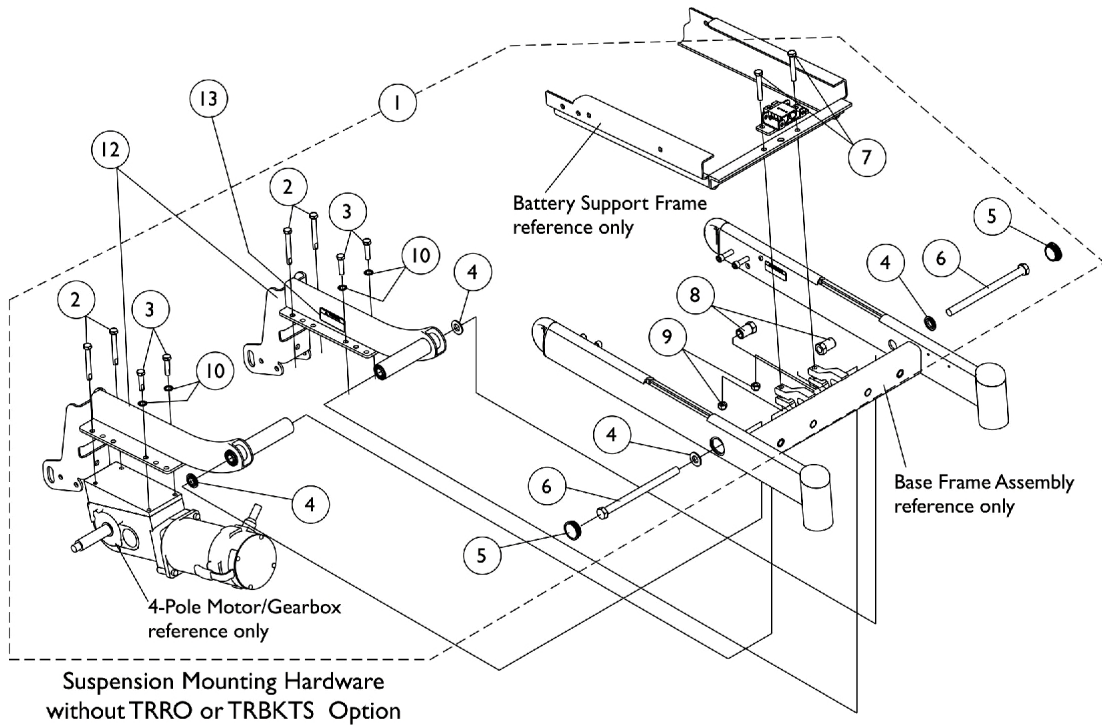


Suspension Arm and Mounting Hardware 4-Pole Motors (US and Canada Before 8/17/10)



Suspension Arm and Mounting Hardware 4-Pole Motors (US and Canada Before 8/17/10)

Item Number	Note	Part Number	Description	Quantity Per	
				Package	Assembly
1	A	1104828-NLA	NLA - Kit, Suspension Arm Mounting Hardware (Pair)	1	1
2			NLA - Screw, Hex Head w/ Patch (5/16-18 x 2-1/2")	1	4
3			Screw, Hex Head w/ Patch (5/16-18 x 1-1/4")	1	4
4			NLA - Washer (1/2" I.D. x 7/8" O.D.)	1	4
5			Plug Button, Headtube, Black	1	2
6			NLA - Screw, Hex Head (1/2-20 x 7")	1	2
7			NLA - Screw, Hex Head (5/16-18 x 2")	1	2
8			NLA - Nut, Shoulder (1/2-20)	1	2
9			Locknut (5/16-18)	1	2
10			NLA - Washer, Internal Tooth (M8)	1	4
1	B	1139435-NLA	NLA - Kit, Suspension Arm Mounting Hardware For TRRO/TRBKTS Option (Pair)	1	1
2			NLA - Screw, Hex Head w/ Patch (5/16-18 x 2-1/2")	1	4
3			Screw, Hex Head w/ Patch (5/16-18 x 1-1/4")	1	4
4			NLA - Washer (1/2" I.D. x 7/8" O.D.)	1	4
5			Plug Button, Headtube, Black	1	2
6			NLA - Screw, Hex Head (1/2-20 x 7")	1	2
7			NLA - Screw, Hex Head (5/16-18 x 2-1/4")	1	2
8			NLA - Nut, Shoulder (1/2-20)	1	2
9			Locknut (5/16-18)	1	2
10			NLA - Washer, Internal Tooth (M8)	1	4
11			Washer, Flat (21/64 x 53/64 x 7/64")	1	2
12		1104887-NLA	NLA - Kit, Suspension Arm w/ Warning Decal, Black - Right	1	1
12		1104888-NLA	NLA - Kit, Suspension Arm w/ Warning Decal, Black - Left	1	1
13		1053056-NLA	NLA - Decal, Warning	1	2
8	C	1142012	Nut, Hex Head Cap Shoulder (1/2-20)	1	2

NOTE: A - Includes items 2-10
 B - Includes items 2-11 and used for TRRO/TRBKTS options
 C - Hex Head Cap Shoulder Nut part number 1142012 is used only when a Formula CG Elevate is ordered