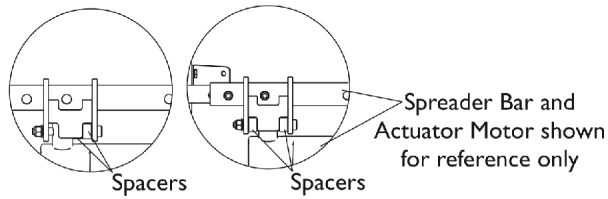
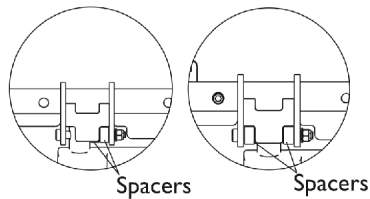


Recline Actuator Motor and Mounting Hardware (Conventional & Smart Actuator Motors)

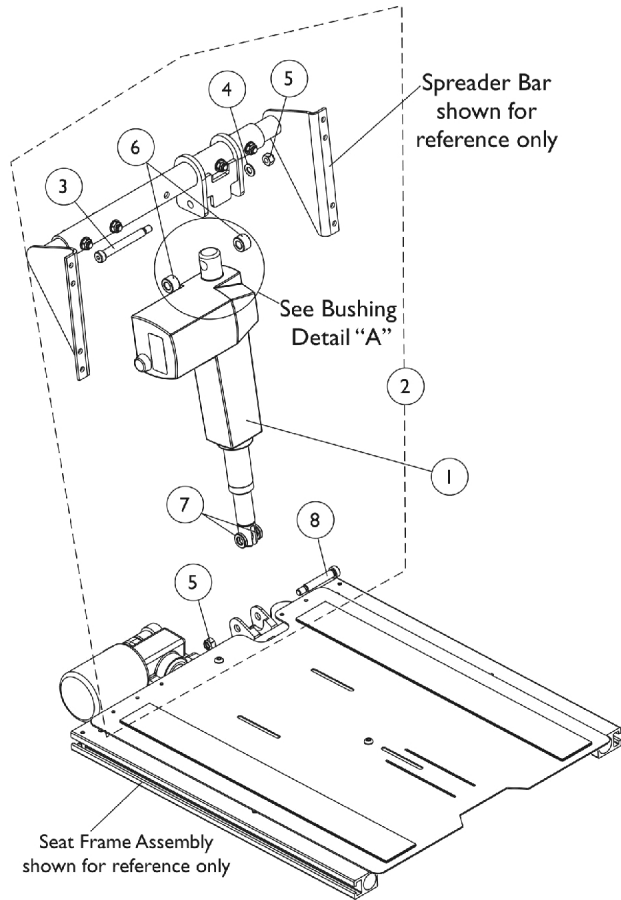
Smart Actuators are standard on TDX SR models



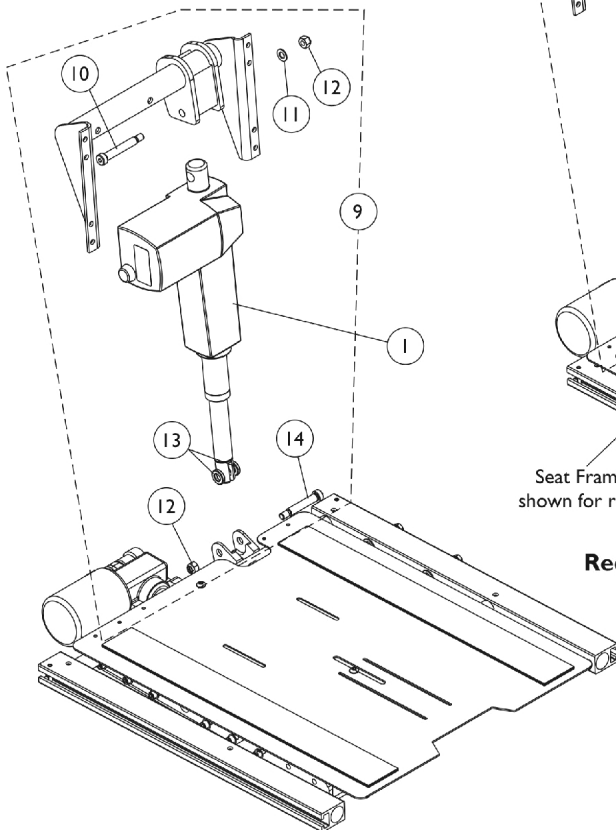
17", 19", 20" Wide 16", 18" Wide
Bushing Detail "A" For 16"-20" Wide



21", 23" Wide 20", 22", 24" Wide
Bushing Detail "A" For 20"-24" Wide



Recline Actuator Motor Mounting Hardware
For Conventional Seating



Recline Actuator Motor Mounting Hardware
For Contoura Seating

Recline Actuator Motor and Mounting Hardware (Conventional & Smart Actuator Motors)

Smart Actuators are standard on TDX SR models

| Item Number | Note | Part Number | Description | Quantity Per | |
|-------------|------|-------------|---|--------------|----------|
| | | | | Package | Assembly |
| 1 | C | 1145486 | Motor, CG Recline Actuator (Conventional) | 1 | 1 |
| 1 | | 1151769 | Motor, CG Recline Actuator (Smart) | 1 | 1 |
| 2 | A | 1144592 | Kit, Recline Actuator Motor Mounting Hardware Conventional CG | 1 | 1 |
| 3 | | | NLA - Screw, Shoulder Hex Socket Head (3/8 x 2-3/4", 5/16-18) | 1 | 1 |
| 4 | | | Washer, Flat (5/16 x 5/8 x 1/16") | 1 | 1 |
| 5 | | | Locknut (5/16-18) | 1 | 2 |
| 6 | | | Spacer (3/8 x 1 x 1/2") | 1 | 2 |
| 7 | | | NLA - Bushing, Actuator Motor (3/8 x 3/4 x 5/32") | 1 | 2 |
| 8 | | | Screw, Shoulder Hex Socket Head (3/8 x 1-1/2", 5/16-18) | 1 | 1 |
| 9 | B | 1144593 | Kit, Recline Actuator Motor Mounting Hardware Contoura/Curve Contoura CG | 1 | 1 |
| 10 | | | Screw, Shoulder Hex Socket (3/8 x 2", 5/16-18) | 1 | 1 |
| 11 | | | Washer, Flat (5/16 x 5/8 x 1/16") | 1 | 1 |
| 12 | | | Locknut (5/16-18) | 1 | 2 |
| 13 | | | NLA - Bushing, Actuator Motor (3/8 x 3/4 x 5/32") | 1 | 2 |
| 14 | | | Screw, Shoulder Hex Socket Head (3/8 x 1-1/2", 5/16-18) | 1 | 1 |
| | D | 1126173 | Harness, Elevate Actuator Extension | 1 | 1 |

NOTE: A - Includes items 3-8
 B - Includes items 10-14
 C - Recline Actuator Motor Cable length was shortened 10/15/10. Extension Cable part #1126173 is required for wheelchairs manufactured before 5/10/10 for TDX SP w/ CGR Recline Only w/o MPCTMT/MPCTMT-L or 3GTQ-CG/3GTQ3-CG w/ CGR Recline Only and 4-Pole Motors
 D - Not Shown