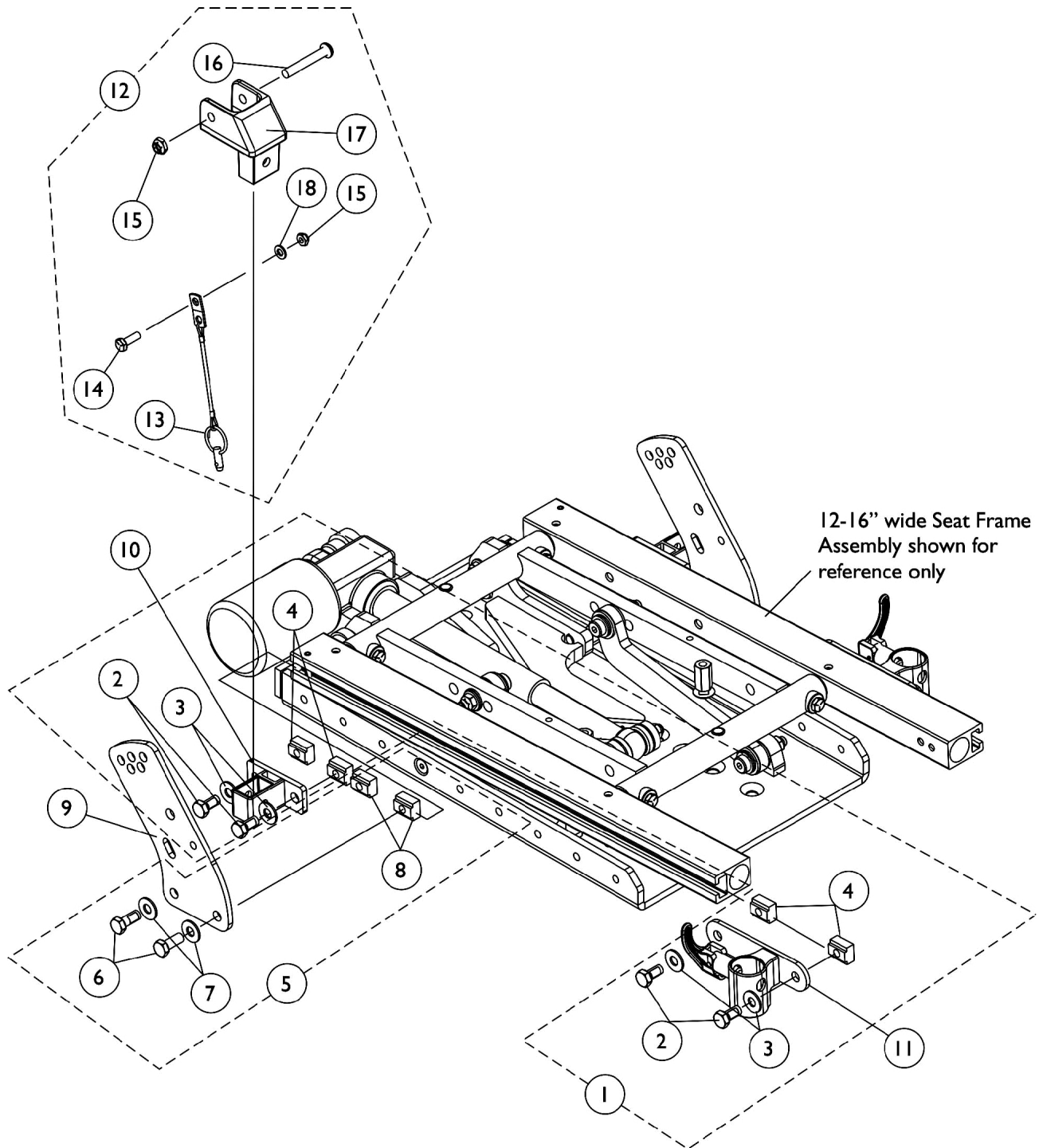


Front/Rear Arm Socket Assembly and Mounting Hardware (CGT/CGTE) (12-16" W x 12-15" D)



Front/Rear Arm Socket Assembly and Mounting Hardware (CGT/CGTE) (12-16" W x 12-15" D)

Item Number	Note	Part Number	Description	Quantity Per	
				Package	Assembly
1	A	1144596	Kit, Front/Rear Arm Socket Asbly. Mtg. Hdw. (12-16" Wide)	1	1
2			Screw, Hex Head w/ Patch (5/16-18 x 5/8")	1	4
3			Washer, Steel (5/16 x 3/4 x 1/16")	1	4
4			T-Nut (5/16-18)	1	4
5	B	1144597	Kit, Back Cane Bracket Mtg. Hdw. 12-16" Wide	1	1
6			Screw, Hex Head w/ Patch (5/16-18 x 3/4")	1	2
7			Washer, Steel (5/16 x 3/4 x 1/16")	1	2
8			T-Nut (5/16-18)	1	2
9		1146452-NLA	NLA - Bracket, Back Cane Mounting, Black	1	2
10		1126142	Socket, Arm, Rear	1	2
11		1122619	Socket, Arm, Front - Right	1	1
11		1122620	Socket, Arm, Front - Left	1	1
12	C	1125736	Kit, Swingaway Armrest Mounting Hardware	1	1
13			Pin, Pull	1	1
14			Screw, Hex Head w/ Patch (1/4-20 x 3/4")	1	1
15			Locknut (1/4-20)	1	2
16			Screw, Socket Button Head (1/4-20 x 1-5/8")	1	1
17			Clevis, Pivot	1	1
18			Washer (1/4 x 1/2 x 1/16")	1	1
NOTE: A - Includes items 2-4 B - Includes items 6-8 C - Includes items 13-18					