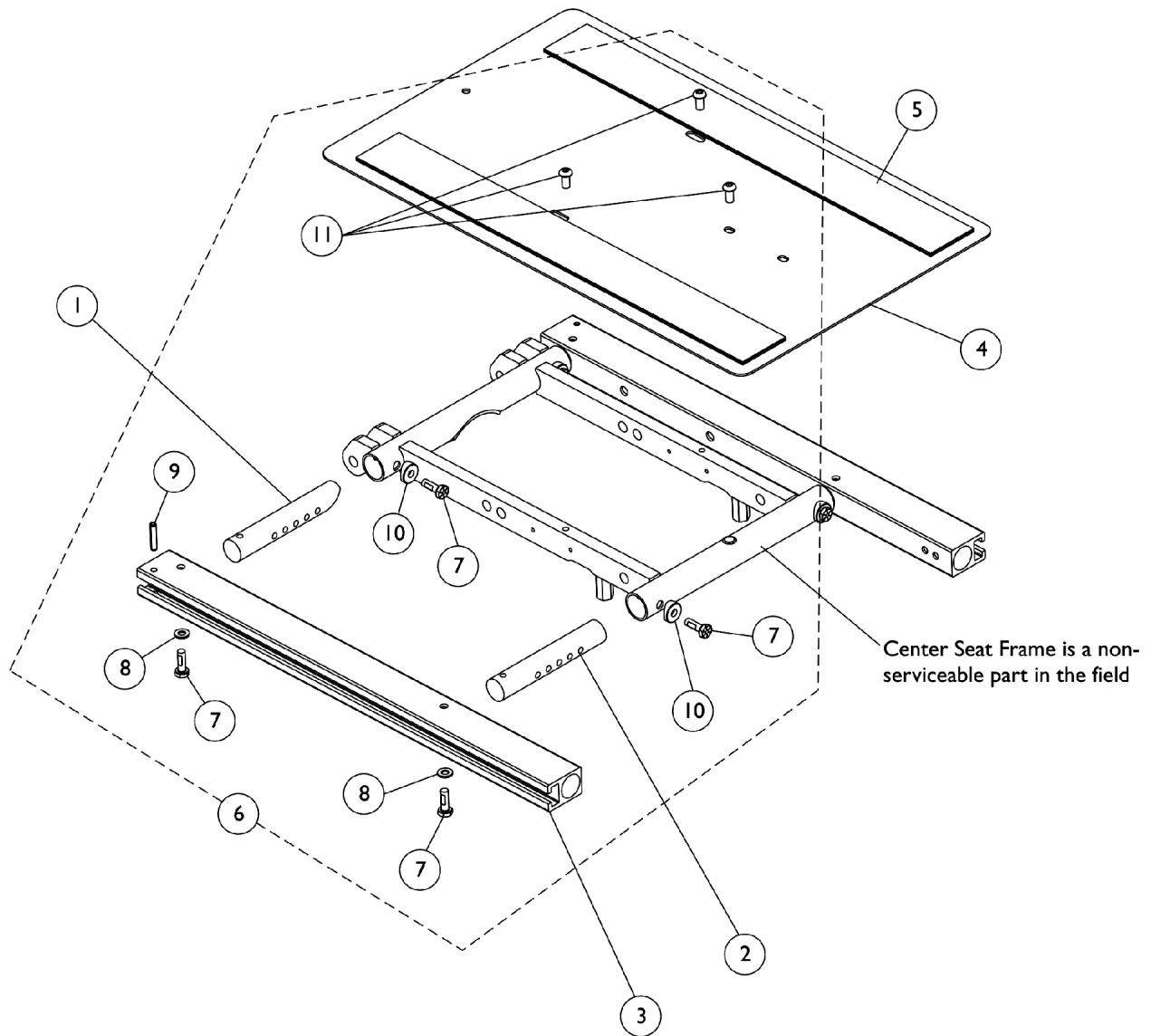


# Seat Frame and Seat Pan w/ Hardware (12"-16" Wide) Conventional Seating

Non-serviceable parts in the field require the wheelchair to be returned to Invacare for repair. Call Technical Services for assistance (1-800-832-4707)



## Seat Frame and Seat Pan w/ Hardware (12"-16" Wide) Conventional Seating

Non-serviceable parts in the field require the wheelchair to be returned to Invacare for repair. Call  
Technical Services for assistance (1-800-832-4707)

Item Number	Note	Part Number	Description	Quantity Per	
				Package	Assembly
1		1156163-NLA	NLA - Crossbar, Seat Frame, Black (12" - 16" W)	1	2
2		1142955-NLA	NLA - Crossbar, Seat Frame, Black (12" - 16" W)	1	2
3		1142951	Rail, Seat Frame (For 12 - 19" D Conventional)	1	2
4	A	1142961	Pan, Seat, with Hook and Loop Fasteners (12 - 16" W x 12 - 18" D)	1	1
5		1043082	Hook Fastener with Adhesive Back (2" W x 18" L)	1	2
5		1044580	Loop Fastener with Adhesive Back (2" W x 18" L)	1	2
6	B	1169000	NLA - Kit, Seat Frame Assembly Hardware	1	1
7			Screw, Hex Head w/ Patch (1/4-20 x 3/4")	1	8
8			Washer (1/4 x 1/2 x 1/16")	1	4
9			NLA - Pin, Roll (3/16 x 1")	1	2
10			Spacer, Coved (1/4 x 11/16 x 1/2")	1	4
11			NLA - Screw, Socket Button Head (1/4-20 x 1/2")	1	3

NOTE: A - Includes item 5  
B - Includes items 7-11