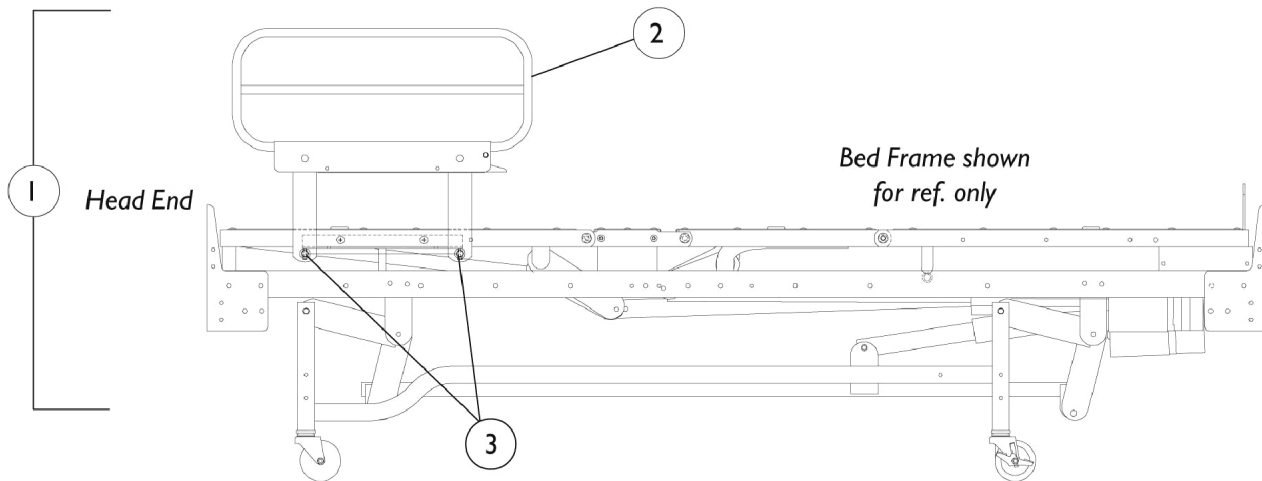


# Bed Rails

## Model IH5822 & IH6803 - 1/4 Length Epoxy Rail, Head End

Discontinued 2/05



Item Number	Note	Part Number	Description	Quantity Per	
				Package	Assembly
1	A,C	026865-NLA	NLA - Side Rail Assembly, Dark Brown (1/4 Length)	1	1
1	A,C	1125237-NLA	NLA - Side Rail Assembly, 1/4 Length (Taupe)	1	1
2	C	1113739-NLA	NLA - Side Rail, 1/4 Length - Right (Dark Brown)	1	1
2	C	1113740-NLA	NLA - Side Rail, 1/4 Length - Left (Dark Brown)	1	1
2	C	1125249-NLA	NLA - Side Rail, 1/4 Length - Right (Taupe)	1	1
2	C	1125250-NLA	NLA - Side Rail, 1/4 Length - Left (Taupe)	1	1
3		033786	Screw, Socket Head (#10-32 x 3/8")	1	4
	B	020258	Wrench, Allen (5/32")	1	1
	B	026715-NLA	NLA - Instruction Sheet, Bed Rail	1	1
	B	026197-NLA	NLA - Hardware, Rail Mounting	1	1
			Includes: 2 ea. Pivot Brackets (Left & Right), 1 ea. Tube (3/4 x 28"), 4 ea. Locknuts (1/4-20), and 4 ea. Screws, Hex Head (1/4-20 x 5/8").		
<b>NOTE:</b> A - Includes: Items 2, Instruction Sheet, and Attaching Hardware. B - Not Shown. C - These items are painted. Please make sure you select the correct color option.					