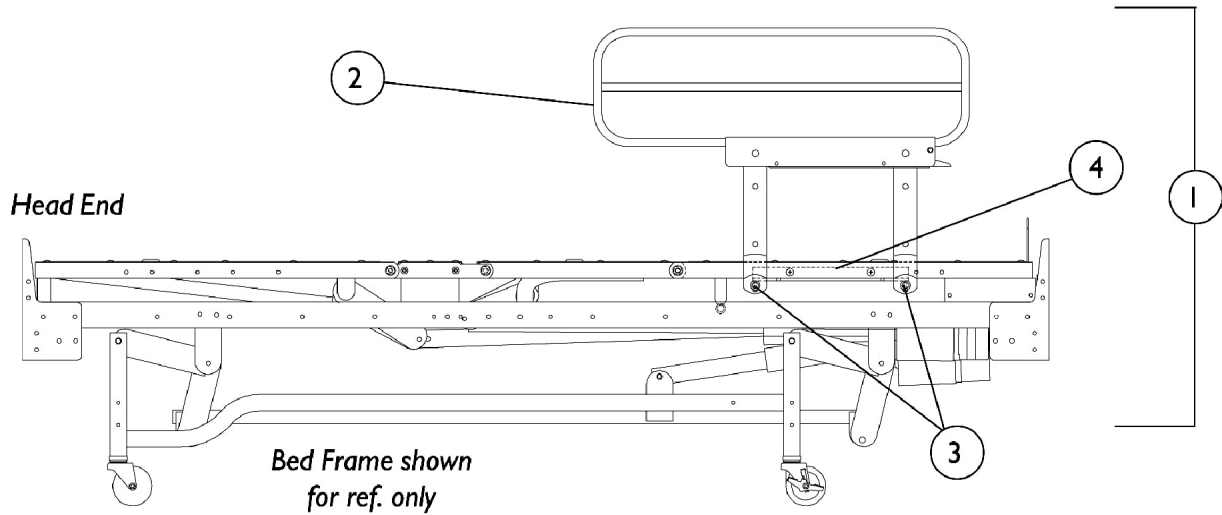


Bed Rails

Model IH5821 & IH6816 - 1/2 Length Epoxy Rail, Foot End

Discontinued 2/05



Item Number	Note	Part Number	Description	Quantity Per	
				Package	Assembly
1	A,C	1113735-NLA	NLA - Side Rail Assembly (1/2 Length)	1	1
1	A,C	1125239-NLA	NLA - Side Rail Assembly - Foot End, 1/2 Length (Taupe)	1	1
2	C	1113736-NLA	NLA - Side Rail, 1/2 Length - Right	1	1
2	C	1113737-NLA	NLA - Side Rail, 1/2 Length - Left	1	1
2	C	1125253-NLA	NLA - Side Rail, 1/2 Length - Right (Taupe)	1	1
2	C	1125254-NLA	NLA - Side Rail, 1/2 Length - Left (Taupe)	1	1
3		033786	Screw, Socket Head (#10-32 x 3/8")	1	4
4		027035	Tube, Side Rail	1	1
	B	020258	Wrench, Allen (5/32")	1	1
	B	026715-NLA	NLA - Instruction Sheet, Bed Rail	1	1
	B	026195	Hardware, Rail Mounting Includes: 2 ea. Pivot Bracket, 4 ea. Locknut (1/4-20), and 4 ea. Screw, Hex Head Cap (1/4-20 x 5/8").	1	1
NOTE: A - Includes: Items 2, Instruction Sheet, and Attaching Hardware. B - Not Shown. C - These items are painted. Please make sure you select the correct color option.					