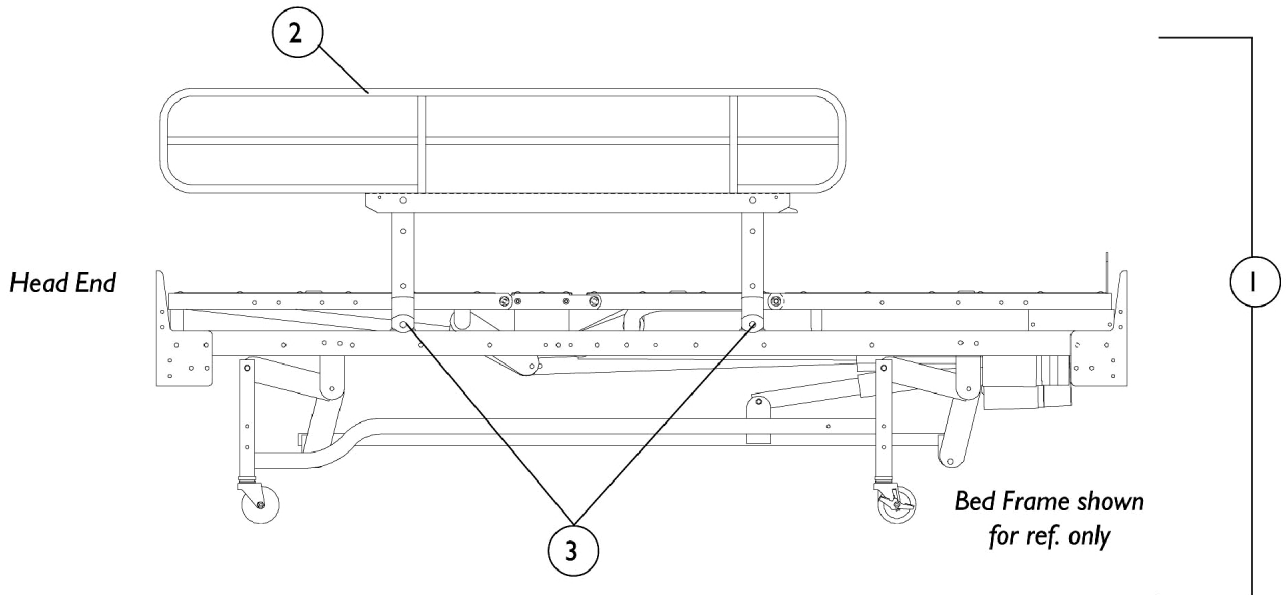


Bed Rails

Model IH5813 & IH6808 - 3/4 Length Epoxy Rail

NOTE: Please make sure you are ordering parts for the correct model # IH5813 or IH6808. Parts for IH6808A are found in a different section of this book.

NOTE: The model #IH6808 was discontinued but can be directly replaced by the IH6808A model rails.



Bed Rails

Model IH5813 & IH6808 - 3/4 Length Epoxy Rail

NOTE: Please make sure you are ordering parts for the correct model # IH5813 or IH6808. Parts for IH6808A are found in a different section of this book.

NOTE: The model #IH6808 was discontinued but can be directly replaced by the IH6808A model rails.

| Item Number | Note | Part Number | Description | Quantity Per | |
|--|------|-------------|---|--------------|----------|
| | | | | Package | Assembly |
| 1 | C | 026843-NLA | NLA - Side Rail Assembly, Dark Brown (3/4 Length) | 1 | 1 |
| 1 | C,A | 1125236-NLA | NLA - Side Rail Assembly, 3/4 Length (Taupe) | 1 | 1 |
| 2 | C | 1113743-NLA | NLA - Side Rail, 3/4 Length - Right (Brown) | 1 | 1 |
| 2 | C | 1113742-NLA | NLA - Side Rail, 3/4 Length - Left (Brown) | 1 | 1 |
| 2 | C | 1125248-NLA | NLA - Side Rail, 3/4 Length - Right (Taupe) | 1 | 1 |
| 2 | C | 1125247-NLA | NLA - Side Rail, 3/4 Length - Left (Taupe) | 1 | 1 |
| 3 | | 033786 | Screw, Socket Head (#10-32 x 3/8") | 1 | 4 |
| | B | 020258 | Wrench, Allen (5/32") | 1 | 1 |
| | B | 026715-NLA | NLA - Instruction Sheet, Bed Rail | 1 | 1 |
| | B | 026842 | Hardware, Rail Mounting Includes: (1) Crossbar Pivot, (4) Pivot Bracket, (8) Locknut (1/4-20"), and (8) Screw, Hex Head (1/4-20 x 5/8"). | 1 | 1 |
| | B | 026978 | Kit, Crossbar Pivot Replacement Includes: (1) Crossbar Pivot and (1) Pivot Bracket. | 1 | 1 |
| <p>NOTE: A - Includes: Items 2, Instruction Sheet, and Attaching Hardware. B - Not Shown. C - These items are painted. Please make sure you select the correct color option.</p> | | | | | |