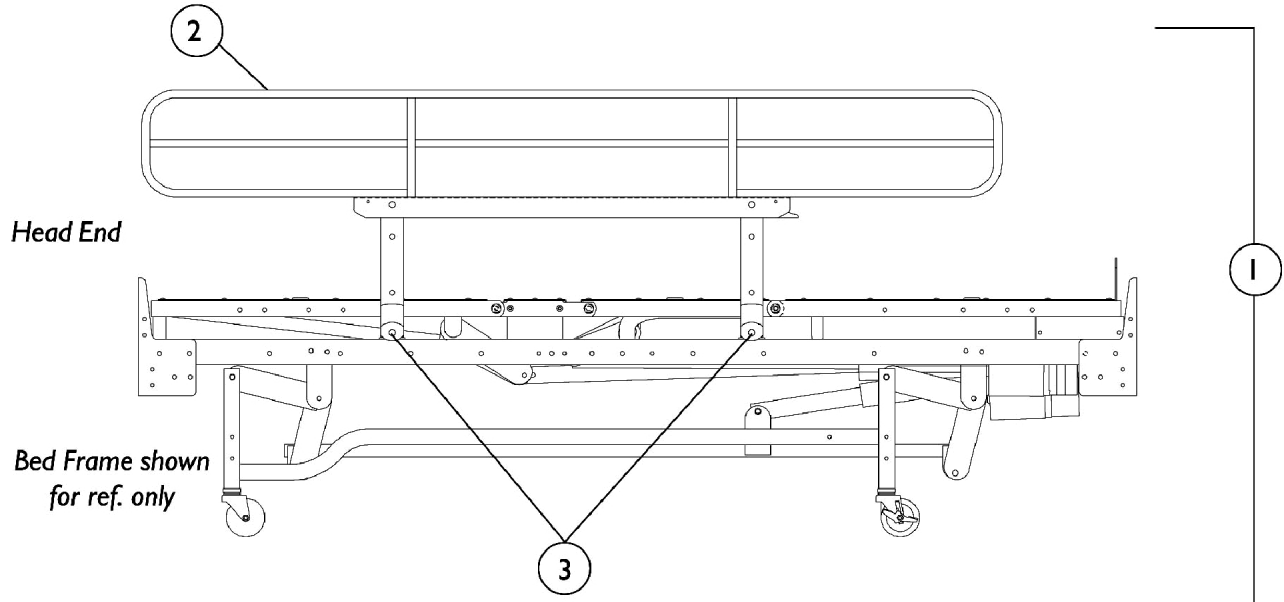


# Bed Rails

## Model IH5814, IH6800, IH6801 - Full Length Epoxy

**NOTE:** Please make sure you are ordering parts for the correct model # IH5814, IH6800 or IH6801. Parts for IH6801A are found in a different section of this book.

**NOTE:** The model #IH6801 was discontinued but can be directly replaced by the IH6801A model rails.



Item Number	Note	Part Number	Description	Quantity Per	
				Package	Assembly
1	A,C	1113744-NLA	NLA - Side Mounting Rail Assembly, Brown	1	1
1	A,C	1125235-NLA	NLA - Full Length Side Rail Assembly, Taupe	1	1
2	C	1125246-NLA	NLA - Side Rail, Full Length - Right (Taupe)	1	1
2	C	1125245-NLA	NLA - Side Rail, Full Length - Left (Taupe)	1	1
2	C	1113746-NLA	NLA - Side Rail, Full Length, Right (Brown)	1	1
2	C	1113745-NLA	NLA - Side Rail, Full Length, Left (Brown)	1	1
3		033786	Screw, Socket Head (#10-32 x 3/8")	1	4
	B	020258	Wrench, Allen (5/32")	1	1
	B	020159	Plug Button, Dome (1/4")	1	4
	B	026715-NLA	NLA - Instruction Sheet, Bed Rail	1	1
	B	026842	Hardware, Rail Mounting Includes:	1	1
			(1) Crossbar Pivot, (4) Pivot Bracket, (8) Locknut (1/4-20"), and (8) Screw, Hex Head (1/4-20 x 5/8").		
	B	026978	Kit, Crossbar Pivot Replacement Includes: (1) Crossbar Pivot and (1) Pivot Bracket.	1	1

**NOTE:** A - Includes: Items 2-3, all Attaching Hardware, and Instruction Sheet.  
 B - Not Shown.  
 C - These items are painted. Please make sure you select the correct color option.