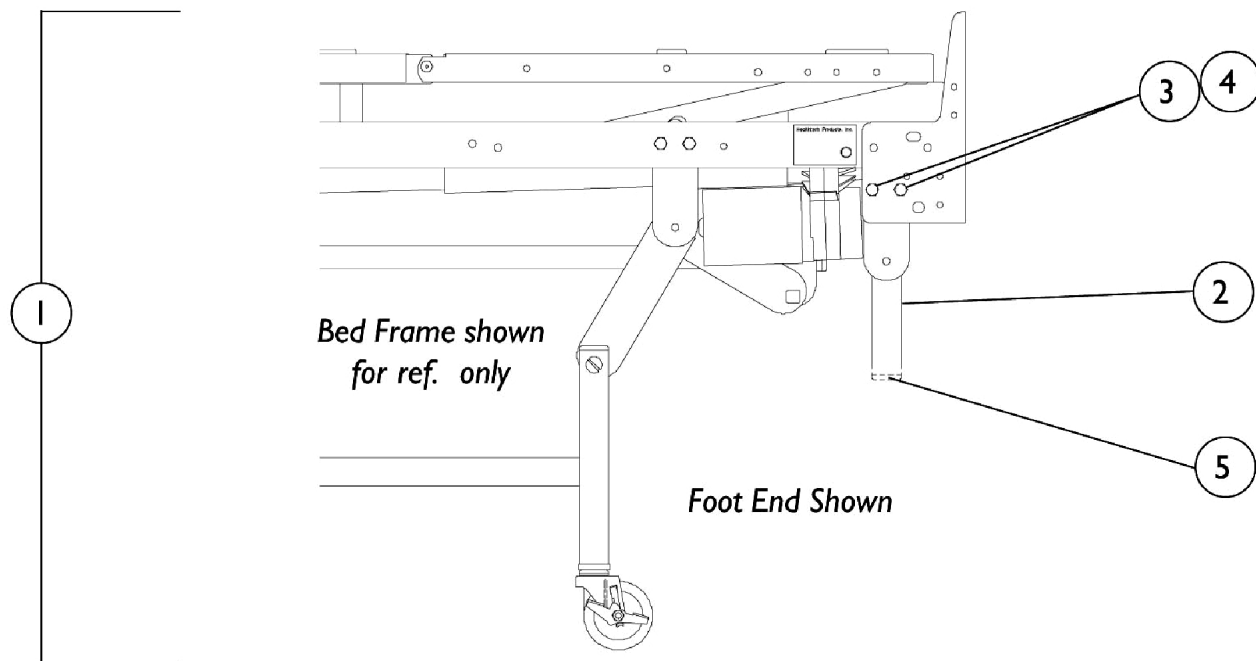


# Floor Lock



Item Number	Note	Part Number	Description	Quantity Per	
				Package	Assembly
1	A	025559	Floor Lock Assembly	1	1
2		025199	Leg, Floor Lock	1	2
3		001758	Screw, Hex Head (5/16-18 x 1")	1	8
4	B	000037	NLA - Nut, Keps (5/16-18)	1	8
5		020312	Glide, Leg (1-1/4")	1	4
	C	1070797	Instruction Sheet	1	1

NOTE: A - Includes: Items 2-5.  
 B - The Lock Washer and Hex Nut was replaced with the Keps Nut on 10/00.  
 C - Not Shown.