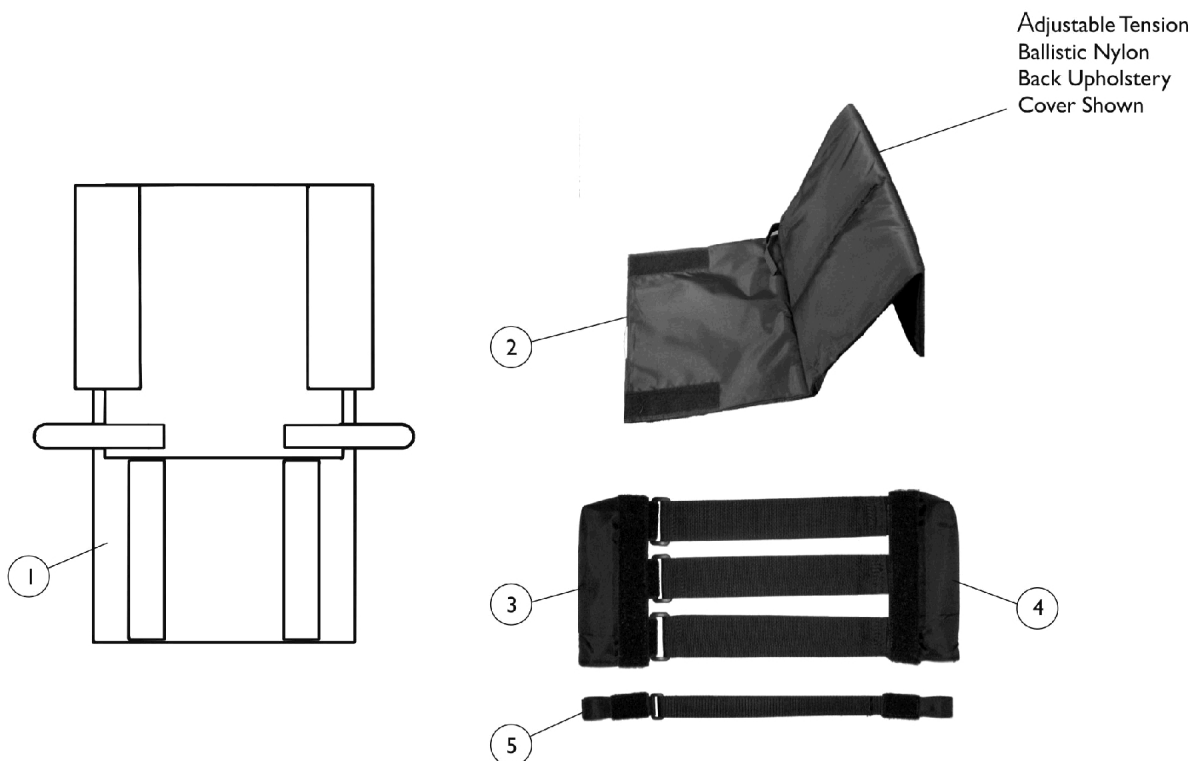


# Back Upholstery

For Back Frames see Category "Frames - Base, Seat, and Backrest" for more information.



| Item Number | Note | Part Number | Description  | Quantity Per |          |
|-------------|------|-------------|--|--------------|----------|
|             |      |             |  | Package      | Assembly |
| 1           |      | See Chart   | #1 Fold Over Ballistic Nylon Back Upholstery Cover                                       | 1            | 1        |
| 2           |      | See Chart   | #2 Adjustable Tension Ballistic Nylon Back Upholstery Cover                              | 1            | 1        |
| 2           |      | See Chart   | #2 Adjustable Tension Breathable Mesh Back Upholstery Cover                              | 1            | 1        |
| 3           |      | See Chart   | #3 Adjustable Tension Back Upholstery - Anchor   | 1            | 1        |
| 3           |      | See Chart   | #3 Adjustable Tension Back Upholstery - Anchor - For Bolt Through Integral Push Handle   | 1            | 1        |
| 4           |      | See Chart   | #4 Adjustable Tension Back Upholstery - Adjuster   | 1            | 1        |
| 4           |      | See Chart   | #4 Adjustable Tension Back Upholstery - Adjuster - For Bolt Through Integral Push Handle | 1            | 1        |
| 5           |      | See Chart   | #5 Adjustable Tension Back Upholstery - Lumbar Support Strap                             | 1            | 1        |
|             | A,B  | 1039470-NLA | NLA - Instruction Sheet, Adjustable Tension Back Upholstery                              | 1            | 1        |

NOTE: A - Not Shown

B - Item is no longer available from the Invcare Service Parts Department. Refer to the Invcare Website under "Product Literature Search". Enter the part number in the "Keywords" field and download a free PDF version copy.

# Back Upholstery

For Back Frames see Category "Frames - Base, Seat, and Backrest" for more information.

## #1 Fold Over Ballistic Nylon Back Upholstery Cover

|          | 8 - 11" High | 10 -14" High | 12 - 16" High | 14 - 18" High | 16 - 20" High |
|----------|--------------|--------------|---------------|---------------|---------------|
| 12" Wide | 1145598-NLA  | 1145607-NLA  | 1145616-NLA   | 1145625-NLA   | 1145634-NLA   |
| 13" Wide | 1145599-NLA  | 1145608-NLA  | 1145617-NLA   | 1145626-NLA   | 1145635-NLA   |
| 14" Wide | 1145600      | 1145609      | 1145618       | 1145627       | 1145636       |
| 15" Wide | 1145601      | 1145610      | 1145619       | 1145628       | 1145637       |
| 16" Wide | 1145602      | 1145611      | 1145620       | 1145629       | 1145638       |
| 17" Wide | 1145603      | 1145612      | 1145621       | 1145630       | 1145639       |
| 18" Wide | 1145604      | 1145613      | 1145622       | 1145631       | 1145640       |
| 19" Wide | 1145605      | 1145614      | 1145623       | 1145632       | 1145641       |
| 20" Wide | 1145606      | 1145615      | 1145624       | 1145633       | 1145642       |

# Back Upholstery

For Back Frames see Category "Frames - Base, Seat, and Backrest" for more information.

## #2 Adjustable Tension Ballistic Nylon Back Upholstery Cover

**NOTE: Adjustable Tension Back Assembly numbers are not available. Back Assembly components must be ordered individually. Order item numbers 2, 3, 4, 5 and Instruction Sheet**

|          | 8 - 11" High | 10 - 14" High | 12 - 16" High | 14 - 18" High | 16 - 20" High |
|----------|--------------|---------------|---------------|---------------|---------------|
| 12" Wide | 1143944-NLA  | 1143953-NLA   | 1143962-NLA   | 1143971-NLA   | 1143980-NLA   |
| 13" Wide | 1143945-NLA  | 1143954-NLA   | 1143963-NLA   | 1143972-NLA   | 1143981-NLA   |
| 14" Wide | 1143946-NLA  | 1143955-NLA   | 1143964-NLA   | 1143973-NLA   | 1143982-NLA   |
| 15" Wide | 1143947-NLA  | 1143956-NLA   | 1143965-NLA   | 1143974-NLA   | 1143983-NLA   |
| 16" Wide | 1143948-NLA  | 1143957-NLA   | 1143966-NLA   | 1143975-NLA   | 1143984-NLA   |
| 17" Wide | 1143949-NLA  | 1143958-NLA   | 1143967-NLA   | 1143976-NLA   | 1143985-NLA   |
| 18" Wide | 1143950-NLA  | 1143959-NLA   | 1143968-NLA   | 1143977-NLA   | 1143986-NLA   |
| 19" Wide | 1143951-NLA  | 1143960-NLA   | 1143969-NLA   | 1143978-NLA   | 1143987-NLA   |
| 20" Wide | 1143952-NLA  | 1143961-NLA   | 1143970-NLA   | 1143979-NLA   | 1143988-NLA   |

## #2 Adjustable Tension Breathable Mesh Back Upholstery Cover

**NOTE: Adjustable Tension Back Assembly numbers are not available. Back Assembly components must be ordered individually. Order item numbers 2, 3, 4, 5 and Instruction Sheet**

|          | 8 - 11" High | 10 -14" High | 12 - 16" High | 14 - 18" High | 16 - 20" High |
|----------|--------------|--------------|---------------|---------------|---------------|
| 12" Wide | 1159404-NLA  | 1159413-NLA  | 1159422-NLA   | 1159431-NLA   | 1159440-NLA   |
| 13" Wide | 1159405-NLA  | 1159414      | 1159423-NLA   | 1159432-NLA   | 1159441-NLA   |
| 14" Wide | 1159406-NLA  | 1159415-NLA  | 1159424-NLA   | 1159433-NLA   | 1159442-NLA   |
| 15" Wide | 1159407-NLA  | 1159416-NLA  | 1159425-NLA   | 1159434-NLA   | 1159443-NLA   |
| 16" Wide | 1159408-NLA  | 1159417-NLA  | 1159426-NLA   | 1159435-NLA   | 1159444-NLA   |
| 17" Wide | 1159409-NLA  | 1159418-NLA  | 1159427-NLA   | 1159436-NLA   | 1159445-NLA   |
| 18" Wide | 1159410-NLA  | 1159419-NLA  | 1159428-NLA   | 1159437-NLA   | 1159446-NLA   |
| 19" Wide | 1159411-NLA  | 1159420-NLA  | 1159429-NLA   | 1159438-NLA   | 1159447-NLA   |
| 20" Wide | 1159412-NLA  | 1159421-NLA  | 1159430-NLA   | 1159439-NLA   | 1159448       |

# Back Upholstery

For Back Frames see Category "Frames - Base, Seat, and Backrest" for more information.

## #3 Adjustable Tension Back Upholstery - Anchor

|               | 12 - 17" Wide | 18 - 20" Wide |
|---------------|---------------|---------------|
| 8 - 11" High  | 1143989-NLA   | 1160568-NLA   |
| 10 - 14" High | 1143990-NLA   | 1160569-NLA   |
| 12 - 16" High | 1143991-NLA   | 1160570-NLA   |
| 14 - 18" High | 1143992-NLA   | 1160571-NLA   |
| 16 - 20" High | 1143993-NLA   | 1160572-NLA   |

## #3 Adjustable Tension Back Upholstery - Anchor - For Bolt Through Integral Push Handle

|               | 12 - 17" Wide | 18 - 20" Wide |
|---------------|---------------|---------------|
| 8 - 11" High  | 1145665-NLA   | 1160573-NLA   |
| 10 - 14" High | 1145666-NLA   | 1160574-NLA   |
| 12 - 16" High | 1145667-NLA   | 1160575-NLA   |
| 14 - 18" High | 1145668-NLA   | 1160576-NLA   |
| 16 - 20" High | 1145669-NLA   | 1160577-NLA   |

# Back Upholstery

For Back Frames see Category "Frames - Base, Seat, and Backrest" for more information.

## #4 Adjustable Tension Back Upholstery - Adjuster

|          | 8 - 11" High | 10 - 14" High | 12 - 16" High | 14 - 18" High | 16 - 20" High |
|----------|--------------|---------------|---------------|---------------|---------------|
| 12" Wide | 1143994-NLA  | 1144003-NLA   | 1144012-NLA   | 1144021-NLA   | 1144533-NLA   |
| 13" Wide | 1143995-NLA  | 1144004-NLA   | 1144013-NLA   | 1144022-NLA   | 1144534-NLA   |
| 14" Wide | 1143996-NLA  | 1144005-NLA   | 1144014-NLA   | 1144023-NLA   | 1144535-NLA   |
| 15" Wide | 1143997-NLA  | 1144006-NLA   | 1144015-NLA   | 1144024-NLA   | 1144536-NLA   |
| 16" Wide | 1143998-NLA  | 1144007-NLA   | 1144016-NLA   | 1144025-NLA   | 1144537-NLA   |
| 17" Wide | 1143999-NLA  | 1144008-NLA   | 1144017-NLA   | 1144026-NLA   | 1144538-NLA   |
| 18" Wide | 1144000-NLA  | 1144009-NLA   | 1144018-NLA   | 1144027-NLA   | 1144539-NLA   |
| 19" Wide | 1144001-NLA  | 1144010-NLA   | 1144019-NLA   | 1144028-NLA   | 1144540-NLA   |
| 20" Wide | 1144002-NLA  | 1144011-NLA   | 1144020-NLA   | 1144029-NLA   | 1144541-NLA   |

## #4 Adjustable Tension Back Upholstery - Adjuster - For Bolt Through Integral Push Handle

|          | 8 - 11" High | 10 - 14" High | 12 - 16" High | 14 - 18" High | 16 - 20" High |
|----------|--------------|---------------|---------------|---------------|---------------|
| 12" Wide | 1146777-NLA  | 1146786-NLA   | 1146795-NLA   | 1146804-NLA   | 1146813-NLA   |
| 13" Wide | 1146778-NLA  | 1146787-NLA   | 1146796-NLA   | 1146805-NLA   | 1146814-NLA   |
| 14" Wide | 1146779-NLA  | 1146788-NLA   | 1146797-NLA   | 1146806-NLA   | 1146815-NLA   |
| 15" Wide | 1146780-NLA  | 1146789-NLA   | 1146798-NLA   | 1146807-NLA   | 1146816-NLA   |
| 16" Wide | 1146781-NLA  | 1146790-NLA   | 1146799-NLA   | 1146808-NLA   | 1146817-NLA   |
| 17" Wide | 1146782-NLA  | 1146791-NLA   | 1146800-NLA   | 1146809-NLA   | 1146818-NLA   |
| 18" Wide | 1146783-NLA  | 1146792-NLA   | 1146801-NLA   | 1146810-NLA   | 1146819-NLA   |
| 19" Wide | 1146784-NLA  | 1146793-NLA   | 1146802-NLA   | 1146811-NLA   | 1146820-NLA   |
| 20" Wide | 1146785-NLA  | 1146794-NLA   | 1146803-NLA   | 1146812-NLA   | 1146821-NLA   |

# Back Upholstery

For Back Frames see Category "Frames - Base, Seat, and Backrest" for more information.

## #5 Adjustable Tension Back Upholstery - Lumbar Support Strap

| Chair Width | Part Number |
|-------------|-------------|
| 12" Wide    | 1160558     |
| 13" Wide    | 1160559-NLA |
| 14" Wide    | 1160560-NLA |
| 15" Wide    | 1160561-NLA |
| 16" Wide    | 1160562-NLA |
| 17" Wide    | 1160563-NLA |
| 18" Wide    | 1160564-NLA |
| 19" Wide    | 1160565-NLA |
| 20" Wide    | 1160566-NLA |