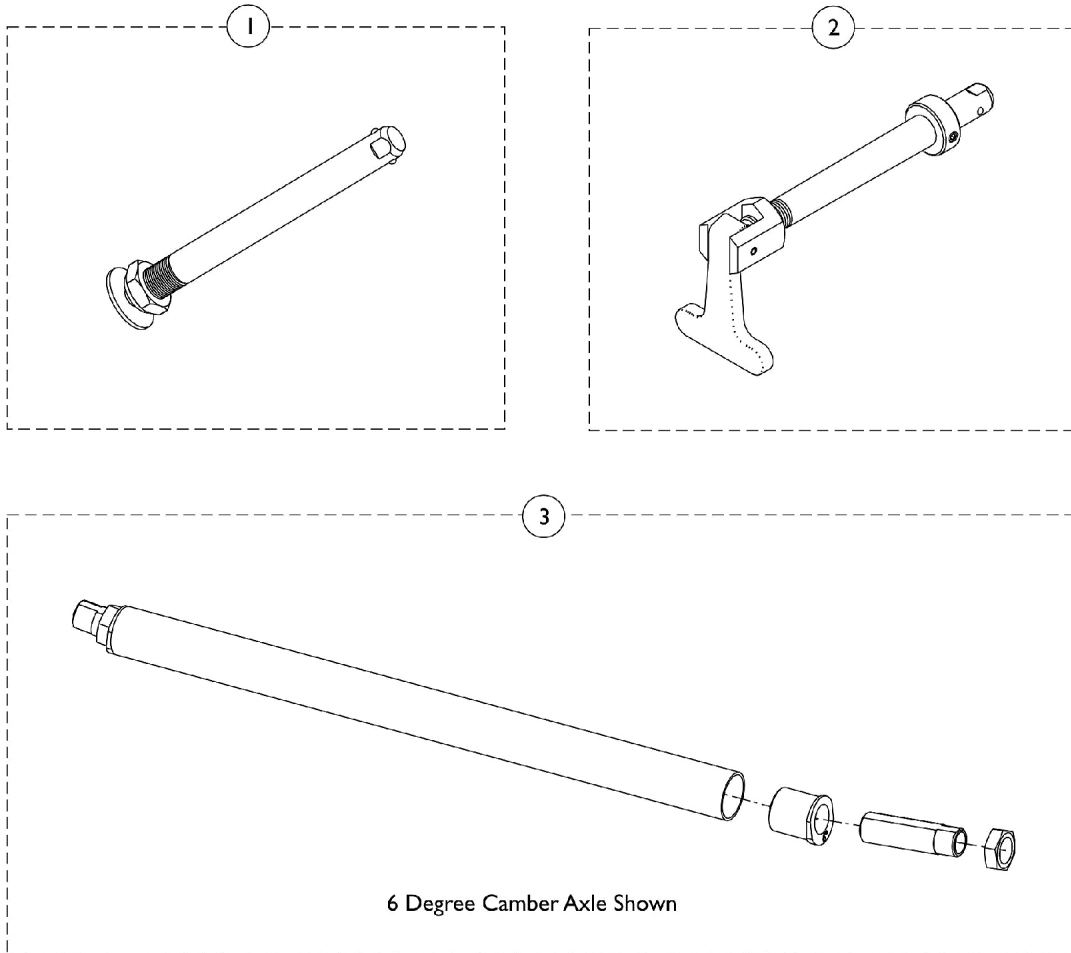


Axles & Camber System

If Camber Tube is to be used on E-Motion system, please order new Frame Hardware 1157286 and use 1133693 (2) and 1157254 (4) from this hardware (refer to category "Frame Hardware - Active") as the replacement for the T7A Camber Clamp (1166127, Item 8). Also replace the 0 degree camber tube from the T7A (8881169807) with (8881143275) from the T6A (also in the "Frame Hardware - Active category). Please refer to special C-111222123210 for additional information. Parts in 1157286 cannot be sold separately.



Item Number	Note	Part Number	Description	Quantity Per	
				Package	Assembly
1		1065303	Axle, Quick Release w/ Flat Button, Black	1	1
1		1060842-NLA	NLA - Axle, Titanium	1	1
2		1043487-NLA	NLA - Axle, Quad Release	1	1
3	A	8881169807-NL A	NLA - Camber Tube Assembly, Color, 0 Degree	1	1
3	A	8881169808-NL A	NLA - Camber Tube Assembly, Color, 3 Degree	1	1
3	A	8881169809-NL A	NLA - Camber Tube Assembly, Color, 6 Degree	1	1

NOTE: A - Specify frame color when ordering, see category titled, "Frame Finishes." Quote number SM-090608125056 must be referenced when a new Camber Tube Assembly is ordered