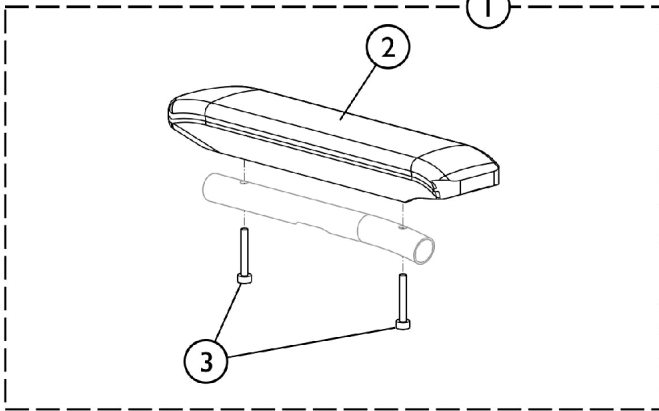
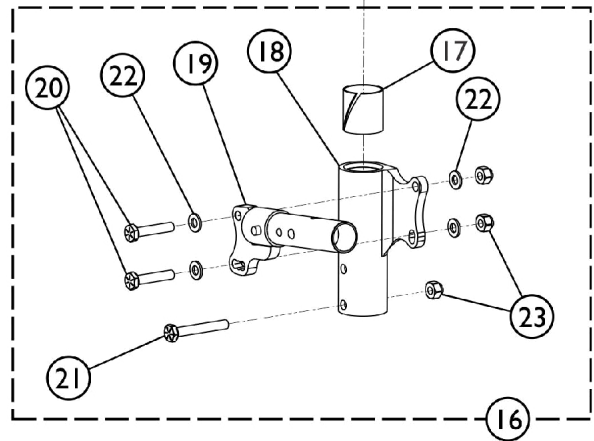
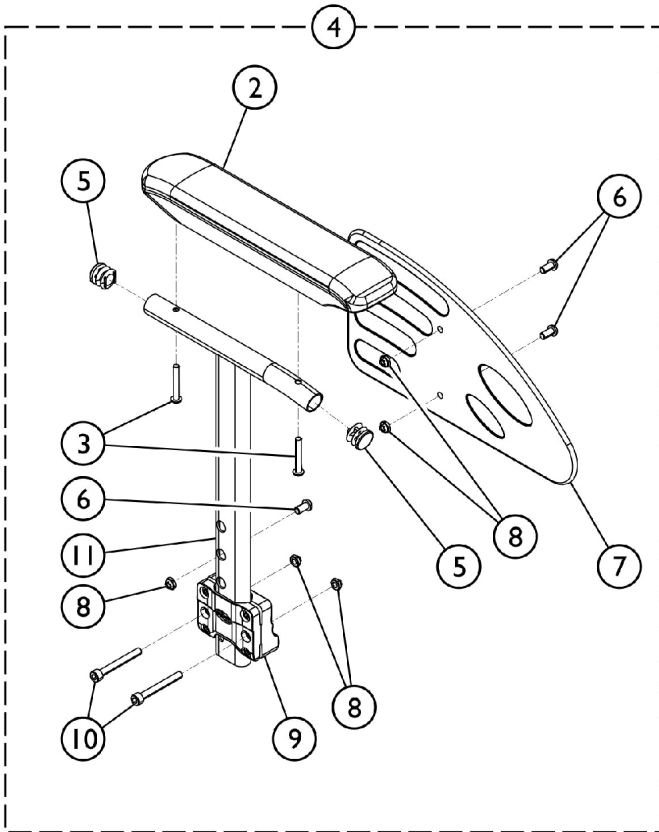
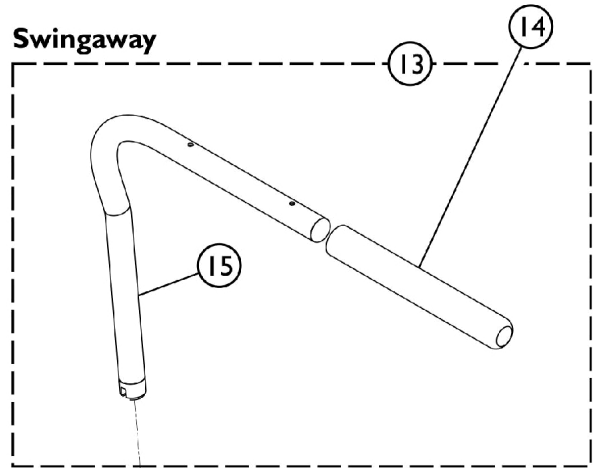


T Style & Swingaway Arms

T Arm



Swingaway



T Style & Swingaway Arms

Item Number	Note	Part Number	Description	Quantity Per	
				Package	Assembly
1	A	1162413	Kit, Armpad, Desk Length (Pair) (CNAD, TAD)	1	1
2			Arm Pad, Desk Length	1	2
3			Screw, Socket Head, Torx (K50 x 30mm)	1	4
4	B	1160539	NLA - Arm Assembly, Adjustable Height, T-Arm, Desk - Right	1	1
2			Arm Pad, Desk Length	1	1
3			Screw, Socket Head, Torx (K50 x 30mm)	1	2
5			Plug Button, Black (3/4")	1	2
6			Screw, Socket Button Head (M6 x 1 x 12mm)	1	3
7			Guard, Clothing - Right/Left	1	1
8			NLA - Locknut (M6 x 1)	1	5
9			NLA - Support, Armrest	1	1
10			NLA - Screw, Socket Head (M6 x 1 x .50mm)	1	2
11			Tube, Armrest - Right	1	1
4	B	1160540	NLA - Arm Assembly, Adjustable Height, T-Arm, Desk - Left	1	1
2			Arm Pad, Desk Length	1	1
3			NLA - Screw, Socket Head (M6 x 1 x .50mm)	1	2
5			Plug Button, Black (3/4")	1	2
6			Screw, Socket Button Head (M6 x 1 x 12mm)	1	3
7			Guard, Clothing - Right/Left	1	1
8			NLA - Locknut (M6 x 1)	1	5
9			NLA - Support, Armrest	1	1
10			Screw, Socket Head, Torx (K50 x 30mm)	1	2
11			Tube, Armrest, Black - Left	1	1
13		1170499-NLA	NLA - Half Arm Assembly, Black - Right	1	1
13		1170500-NLA	NLA - Half Arm Assembly, Black - Left	1	1
14		1032244	Grip, Foam Hand (9" L)	1	1
15		1032202	Half Arm Tube - Right	1	1
15		1032203	Half Arm Tube - Left	1	1
16	C,D	1169974	NLA - Kit, Conversion, Swingaway Arm	1	1
17			Sleeve, Bearing	1	2
18			NLA - Socket, Arm, Half - Right	1	1
18			NLA - Socket, Arm, Half - Left	1	1
19			NLA - Swingaway Arm Mounting Assembly - Right	1	1
19			Swingaway Arm Mounting Assembly - Left	1	1
20			NLA - Screw, Cap, Socket Head (1/4-28 x 1")	1	4
21			Screw, Socket, Cap, Button Head (1/4-28 x 1-9/16")	1	2
22			NLA - Washer, Steel (1/4 x 1/2 x 3/64")	1	8
23			Locknut (1/4-28)	1	6
19	D	1169897-NLA	NLA - Swingaway Arm Mounting Assembly - Right	1	1
19	D	1169898	Swingaway Arm Mounting Assembly - Left	1	1

NOTE: A - Includes Items 2 and 3.
 B - Includes Items 2 and 3, and 5 - 11.
 C - Includes Items 17 - 23.
 D - Item 19 (Swingaway Arm Mounting Assembly) includes a Plunger Pin and Spring.