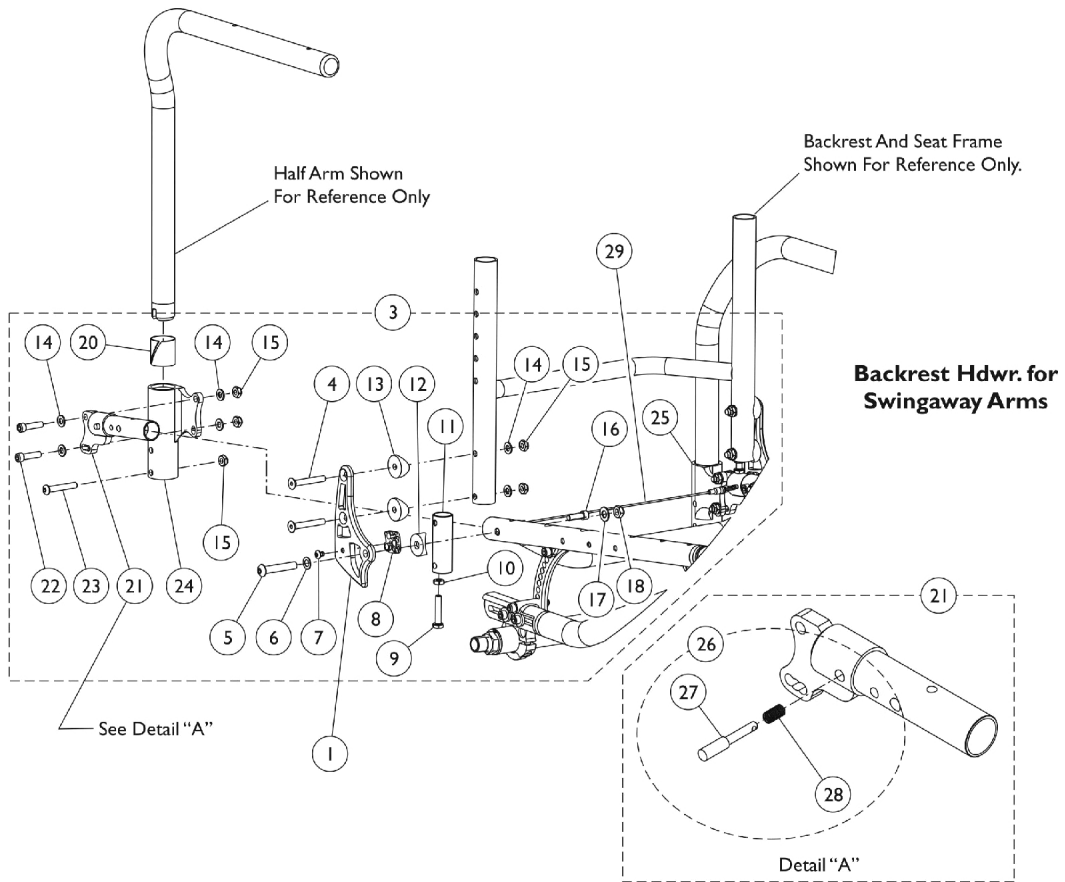
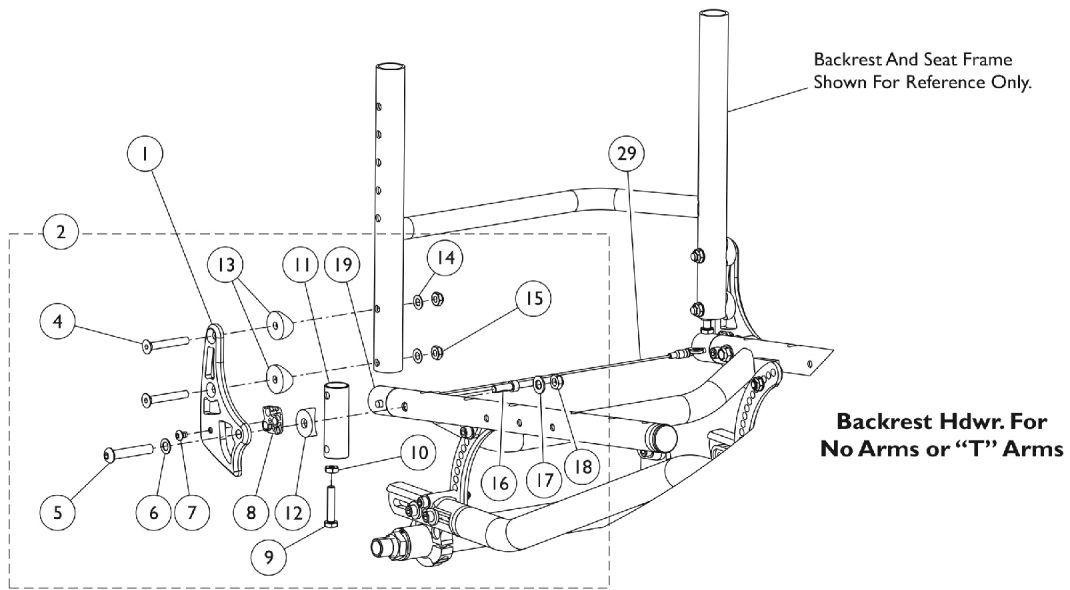


Backrest Mounting Hardware



Backrest Mounting Hardware

Item Number	Note	Part Number	Description	Quantity Per	
				Package	Assembly
1		See Chart	#1 - Bracket, Back, Color	1	1
2	A	1169972-NLA	NLA - Hardware, Backrest, T Arms or No Arms	1	1
4			Screw, Socket, Flat Head, (1/4-28 x 1-3/4")	1	4
5			NLA - Screw, Socket Button Head (5/16-24 x 1-3/4")	1	2
6			Washer, Nylon (5/16 x 17/32 x 1/32")	1	2
7			Screw, Socket, Button Head w/ Patch (10-32 x 1/4")	1	2
8			Square, Adjustment	1	2
9			Screw, Hex (1/4-28 x 1-1/4")	1	2
10			Nut, Hex, Jam (1/4-28)	1	2
11			Insert, Cane, Rear	1	2
12			Spacer, Coved (3/4 x 1 x 1/2")	1	2
13			Spacer, Coved (1/4 x 1 x 9/16")	1	4
14			Washer (1/4 x 1/2 x 1/40)	1	4
15			Locknut (1/4-28)	1	4
16			NLA - Screw, Socket Head, Cap (1/4-28 x 3/4")	1	2
17			Washer, Steel (21/64 x 5/8 x 3/64")	1	2
18			Locknut (5/16-24)	1	2
19			Insert, Back Stop Assembly	1	2
3	B,C	1169899-NLA	NLA - Hardware, Backrest, Swingaway Arms	1	1
4			Screw, Socket, Flat Head, (1/4-28 x 1-3/4")	1	4
5			NLA - Screw, Socket Button Head (5/16-24 x 1-3/4")	1	2
6			Washer, Nylon (5/16 x 17/32 x 1/32")	1	2
7			Screw, Socket, Button Head w/ Patch (10-32 x 1/4")	1	2
8			Square, Adjustment	1	2
9			Screw, Hex (1/4-28 x 1-1/4")	1	2
10			Nut, Hex, Jam (1/4-28)	1	2
11			Insert, Cane, Rear	1	2
12			Spacer, Coved (3/4 x 1 x 1/2")	1	2
13			Spacer, Coved (1/4 x 1 x 9/16")	1	4
14			NLA - Washer, Steel (1/4 x 1/2 x 3/64")	1	8
15			Locknut (1/4-28)	1	10
17			Washer, Steel (21/64 x 5/8 x 3/64")	1	2
16			NLA - Screw, Socket Head, Cap (1/4-28 x 3/4")	1	2
18			Locknut (5/16-24)	1	2
20			Sleeve, Bearing	1	2
21			NLA - Swingaway Arm Mounting Assembly - Right	1	1
21			Swingaway Arm Mounting Assembly - Left	1	1
22			NLA - Screw, Cap, Socket Head (1/4-28 x 1")	1	4
23			Screw, Socket, Cap, Button Head (1/4-28 x 1-9/16")	1	2
24			NLA - Socket, Arm, Half - Right	1	1
25			NLA - Socket, Arm, Half - Left	1	1
26	D	1165867	Kit, Plunger Pin w/ Spring	1	1
27			Pin, Plunger	1	1
28			Spring, Pin, Plunger (1/4 x 13/16 x .020)	1	1
29	E	1159762-NLA	NLA - Cord, Back Release (12" W)	1	1
29	E	1159763-NLA	NLA - Cord, Back Release (13" W)	1	1
29	E	1159764-NLA	NLA - Cord, Back Release (14" W)	1	1

Backrest Mounting Hardware

Item Number	Note	Part Number	Description	Quantity Per	
				Package	Assembly
29	E	1159765-NLA	NLA - Cord, Back Release (15" W)	1	1
29	E	1159766-NLA	NLA - Cord, Back Release (16" W)	1	1
29	E	1159767-NLA	NLA - Cord, Back Release (17" W)	1	1
29	E	1159768-NLA	NLA - Cord, Back Release (18" W)	1	1
29	E	1159769-NLA	NLA - Cord, Back Release (19" W)	1	1
29	E	1159789-NLA	NLA - Cord, Back Release (20" W)	1	1

NOTE: A - For use on T-Arm or no arms. Includes items 4 - 19.
 B - For use on Swingaway Arms. Includes items 4 - 18, and 20 - 25.
 C - Item 21 (Swingaway Arm Mounting Assembly) includes a Plunger Pin (Item 27) and Spring (Item 28).
 D - Kit includes items 27 and 28.
 E - The Back Release Cord includes a Split Ring on each end but DOES NOT INCLUDE the Plunger Pins or Springs. It is recommended when ordering a new Back Release Cord, Item 26 (Kit, Plunger Pin w/ Spring) be ordered also.

#1 - Bracket, Back, Color

Color	Right	Left
Silver	1167081	1167086-NLA
Red	1167082-NLA	1167085
Black	1167083-NLA	1167087
Blue	1167084-NLA	1167088