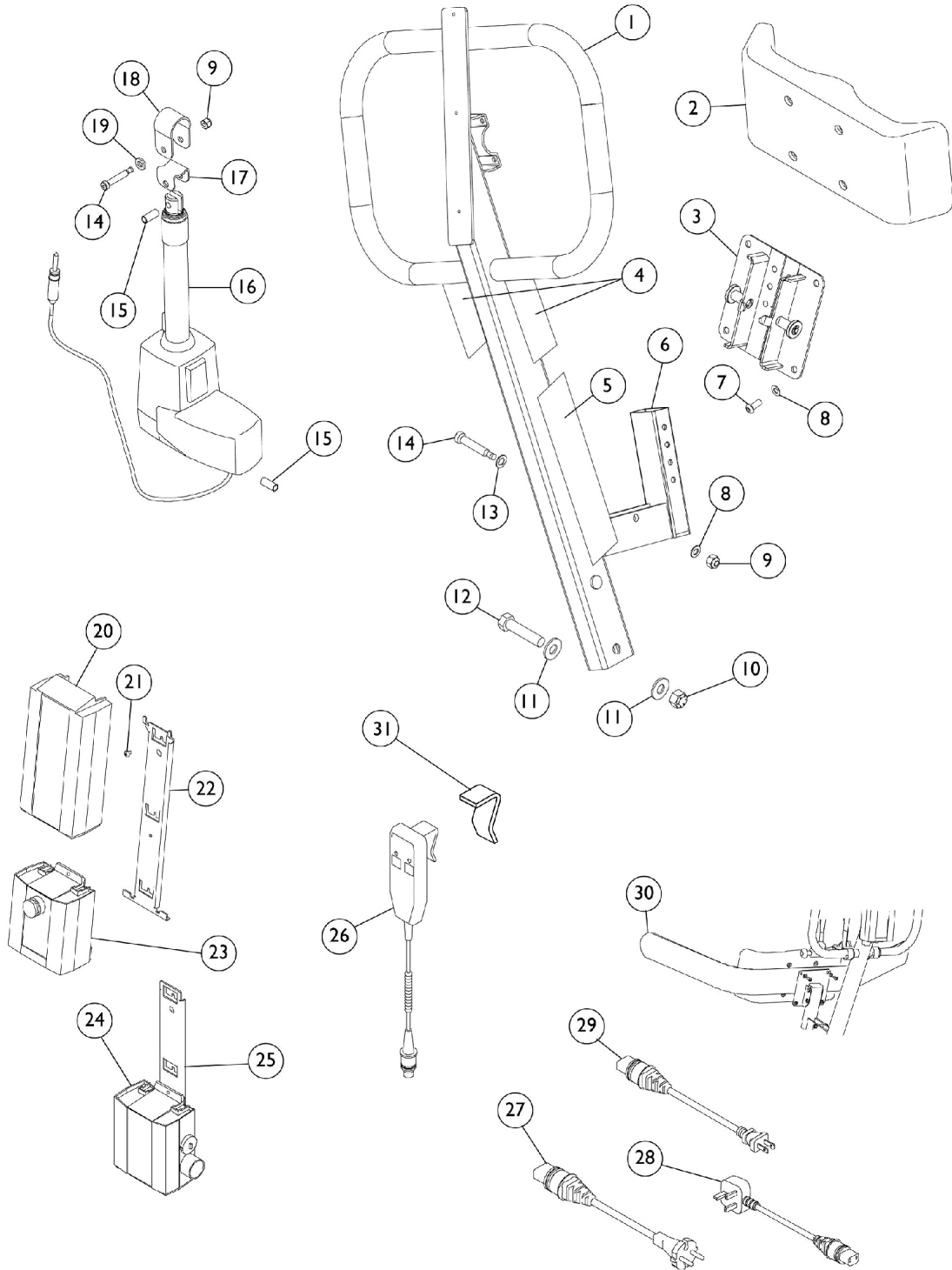


Mast Assembly (Before 7/2/10)

Model - RPS350-1



Mast Assembly (Before 7/2/10)

Model - RPS350-1

Item Number	Note	Part Number	Description	Quantity Per	
				Package	Assembly
1		1097074-NLA	NLA - Handle Assembly, Lift	1	1
2		1070803	Pad, Knee	1	1
3		1097071	Mounting, Pad	1	1
4		1073705-NLA	NLA - Decal, Reliant 350 Logo	1	2
5		1073699-NLA	NLA - Decal, Warning - Reliant 350	1	1
6		1065360	Cap, End, Black (1-1/4 x 2")	1	1
7		1071955	Screw, Socket Button Head (5/16-18 x 3/4")	1	4
8		1025704	Washer, Flat (5/16 x 5/8 x 1/16")	1	5
9		1064267	Locknut (5/16-18)	1	2
10		1078981	Locknut (1/2-13)	1	1
11		1068305	Washer (1/2")	1	2
12		1078979	Screw, Hex Head (1/2-13 x 2-1/4")	1	1
13		1065214	Washer, Flat (3/8 x 11/16 x 1/16")	1	1
14		1064455	Screw, Shoulder Hex Socket Head (3/8 x 1-3/4", 5/16-18)	1	2
15		1064443	Bushing (3/8 x 15/32 x 1-3/32")	1	2
16	B,C	1078974	Actuator Motor	1	1
	A	1133691	Package, Emergency Pull Pin	10	1
17		1071833-NLA	NLA - Bracket, Drive, Grey - Lower	1	1
18		1071832-NLA	NLA - Bracket, Drive, Grey - Upper	1	1
19		1069548-NLA	NLA - Washer, Steel (7/16 x 13/16 x 1/8")	1	1
20		1078276	Battery Pack, Linak	1	1
21		1078980	Screw, Phillips Pan Head (#10-24 x 1/4")	1	3
22		1078284	Bracket, Battery - Electric Only	1	1
23		1078275	Controller - Electric Only	1	1
24	E	1078274	Charger, Electric Only w/o Power Cord	1	1
25		1078306	Bracket, Wall Mount Charger	1	1
26		1177604	Pendant, Two Channel w/ Hook	1	1
27		1079134-NLA	NLA - Cord, UK - Electric Only	1	1
28		1079135-NLA	NLA - Cord, European - Electric Only	1	1
29		1079133	Cord, Power, USA	1	1
30	D	1078982	Strap, Leg	1	1
	A	1075653	Label, CE Marking	1	1
31		1161593	Package, Rubber Clip	10	1
	F	1079815	Kit, Charger - USA Only	1	1
20			Battery Pack, Linak	1	1
24			Charger, Electric Only w/o Power Cord	1	1
25			Bracket, Wall Mount Charger	1	1
29			Cord, Power, USA	1	1

NOTE: A - Not Shown. On 3/19/2010, the pull pin was replaced with a pull grip that is not serviceable.
 B - As of 3/19/2010, the pull pin changed to a pull grip.
 C - This item is for all Lifts manufactured before 7/1/2010. Please check Lift serial numbers before ordering.
 D - This is an accessory only and is not sent out with new units. Used for additional leg support.
 E - Power Cord not included with Charger.
 F - Includes items 20,24,25,29