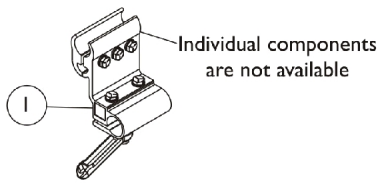
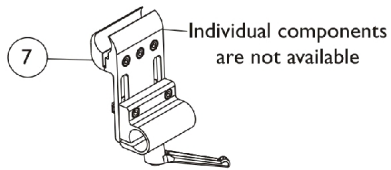


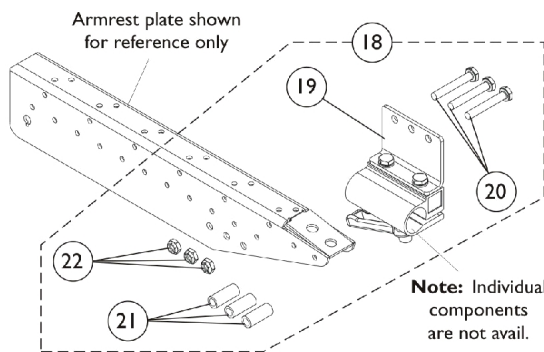
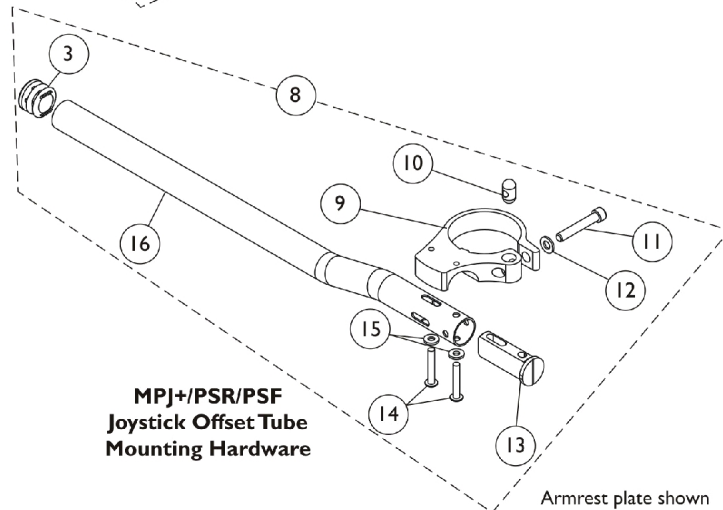
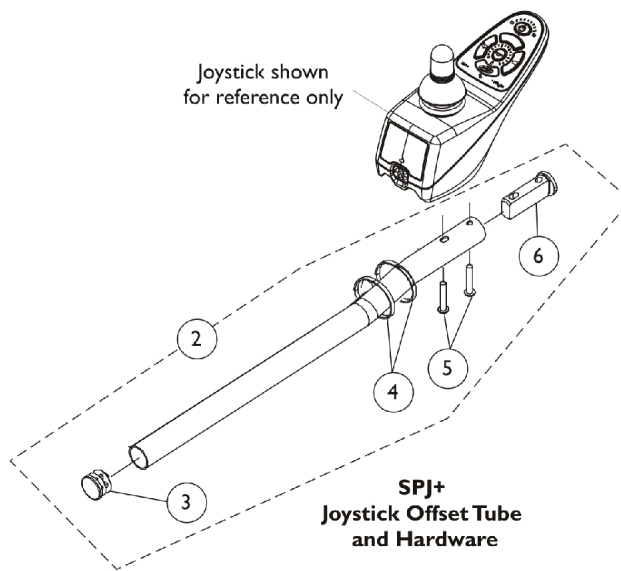
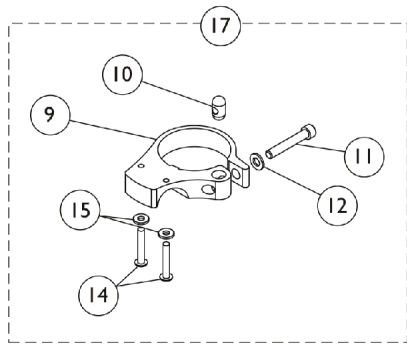
Joystick Mounting Hardware



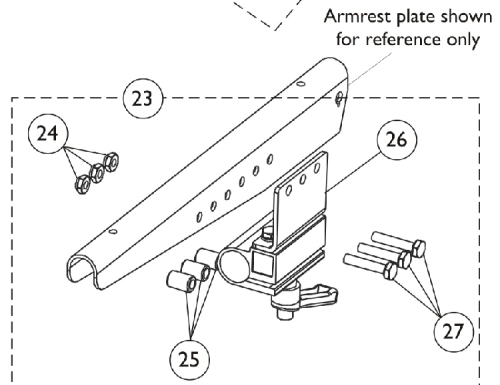
**ASBA/ADJASBA/All Powered Seating
Fixed Height
Joystick Offset Tube
Clamp Assembly**



**ASBA/ADJASBA/All Powered Seating
Adjustable Height
Joystick Offset Tube
Clamp Assembly**



**TDX SP & Pronto M61 Van Seat
Joystick Offset Tube Mounting Hardware**



**3G Storm Van Seat
Joystick Offset Tube Mounting Hardware**

Joystick Mounting Hardware

Item Number	Note	Part Number	Description	Quantity Per	
				Package	Assembly
1	A	1093071	Clamp, Fixed Height Joystick Tube	1	1
2	A,B	1093069	Kit, 1/2" Offset Joystick Tube with Hardware	1	1
3		1027095	Plug Button, Black (7/8")	1	1
4		1095502-NLA	NLA - Package, Tie Wrap (11-1/2" L)	10	1
5		1025714	Screw, Phillips Pan Head (#10-32 x 1-1/8")	1	2
6		1093063	Spacer, Joystick Tube, Black	1	1
2	C	1161733	Kit, 2" Offset Joystick Tube w/ Hardware	1	1
3			Plug Button, Black (7/8")	1	1
4			Tie Wrap (11-1/2" L)	1	2
5			Screw, Phillips Pan Head (#10-32 x 1-1/8")	1	2
5			Screw, Phillips Pan Head (M5 x .8 x 30mm)	1	2
6			Spacer, Joystick Tube, Black	1	1
			Tube, Joystick Offset (2")	1	1
7	A	1139422	Clamp, Height Adjustable Joystick Tube (ARM250)	1	1
8	D	1140094	Kit, Joystick Tube Mounting Hardware - MPJ+/PSR/PSF	1	1
3			Plug Button, Black (7/8")	1	1
9			Clamp, Joystick	1	1
10			Pin, Threaded (3/8" x 3/4")	1	1
11			NLA - Screw, Socket Head (1/4-28 x 1-1/2")	1	1
12			Washer (1/4 x 1/2 x 1/16")	1	1
13			Spacer, Joystick Tube, Black	1	1
14			Screw, Phillips Pan Head (#10-32 x 1-1/8")	1	2
15			Washer, Steel (3/16 x 7/16 x 1/16")	1	2
16			Tube, Joystick Offset (1/2")	1	1
16	A	1114971	Tube, Joystick Offset (1/2")	1	1
16	C	1117463	Tube, Joystick Offset (2")	1	1
17	E	1165493	Kit, MK6i Joystick Clamp Mounting Hardware	1	1
9			Clamp, Joystick	1	1
10			Pin, Threaded (3/8" x 3/4")	1	1
11			NLA - Screw, Socket Head (1/4-28 x 1-1/2")	1	1
12			Washer (1/4 x 1/2 x 1/16")	1	1
14			Screw, Phillips Pan Head (#10-32 x 1-1/8")	1	2
15			Washer, Steel (3/16 x 7/16 x 1/16")	1	2
18	F	1115000	Kit, Joystick Tube Mounting Hardware - Captain Seat	1	1
19		1105049	Clamp Assembly, Fixed Height, Captain/ Van Seat	1	1
20		1037610	Screw, Hex Head (1/4-20 x 1-5/8")	1	3
21		1087219	Spacer (1/4 x 3/8 x 1")	1	3
22		1025195	Locknut (1/4-20)	1	3
23	G	1105050-NLA	NLA - Kit, Joystick Tube Mounting Hardware - Captain/ Van Seat	1	1
24		1025195	Locknut (1/4-20)	1	3
25		1101524-NLA	NLA - Spacer (1/4 x 7/16 x 5/8")	1	3
26		1105049	Clamp Assembly, Fixed Height, Captain/ Van Seat	1	1
27		1057955	Screw, Hex Head (1/4-20 x 1-1/4")	1	3

Joystick Mounting Hardware

NOTE: A - Used on chairs with ASBA/ADJASBA and all powered seating
B - Includes joystick tube plus items 3-6
C - Used on chairs with Van seats, includes items 3 thru 6. Kit contains Standard (#10-32) and Metric (M5) screws. Customer selects screw that applies to their application.
D - Includes item 3 and 9-16.
E - Includes items 9-12, 14 and 15.
F - Includes item 19-22.
G - Includes item 24-27.