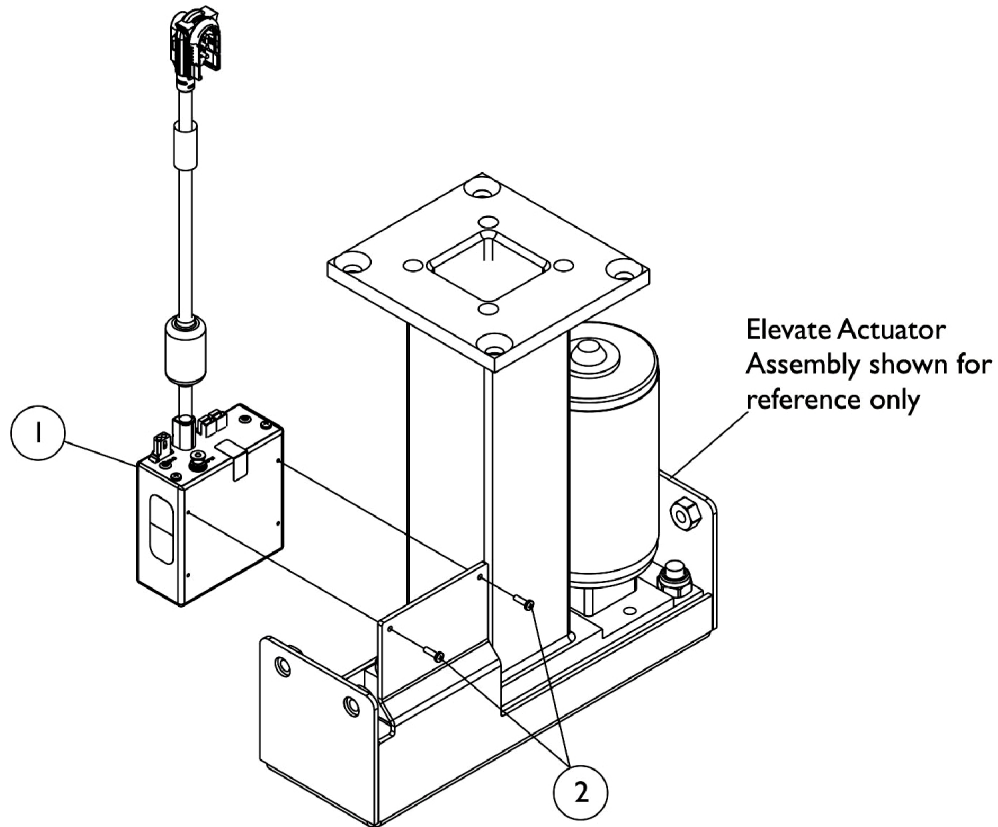


Elevate Integrated Actuator Module (EIAM)

FDX w/ Formula CGE/CGTE/CGTRE



Item Number	Note	Part Number	Description	Quantity Per	
				Package	Assembly
1		1167916	Module, Elevate Integrated Actuator (EIAM) - MK6i (42" L)	1	1
2		1052041	Screw, Phillips Pan Head (#4-40 x 3/8")	1	2