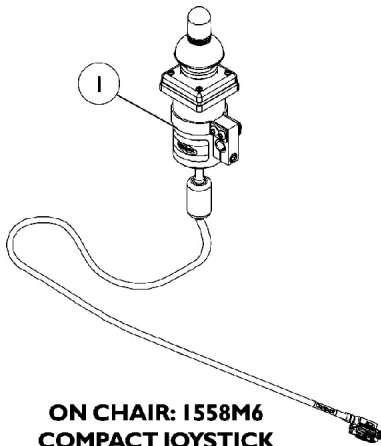
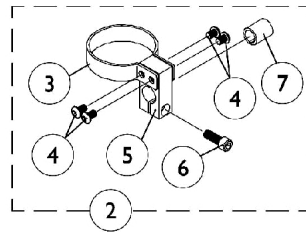


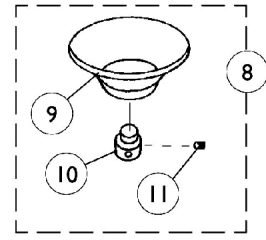
Joystick Options



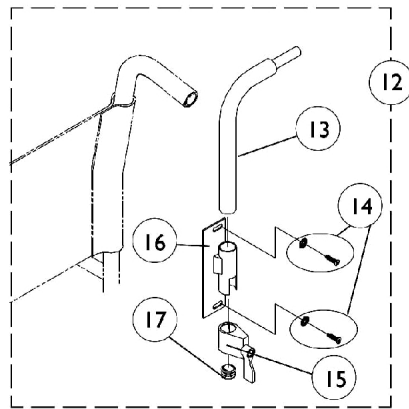
**ON CHAIR: 1558M6
COMPACT JOYSTICK
W/ MTG. HARDWARE**
Used with MK6i display or MPJM6 joystick



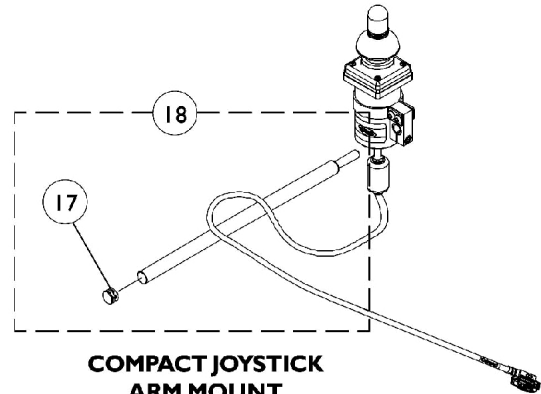
**COMPACT JOYSTICK
MOUNTING HARDWARE**



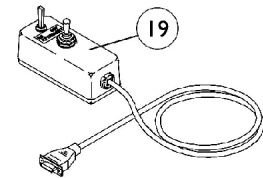
**ON CHAIR: 1826
CHIN CUP ASSEMBLY**



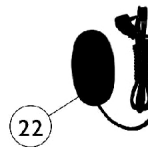
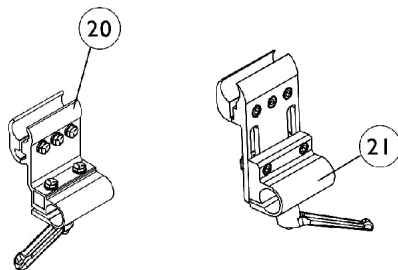
**ON CHAIR: RCM
REAR CANE MOUNT**



**COMPACT JOYSTICK
ARM MOUNT**



**ON CHAIR: 1552M
ATTENDANT CONTROL
JOYSTICK**
Used with SNPM6
Sip-N-Puff/Digital interface



**ON CHAIR: EGSBLK
Reset Switch**
May be required for joystick options listed

Joystick Options

Item Number	Note	Part Number	Description	Quantity Per	
				Package	Assembly
1		1136887	Joystick, MK6 Compact with Mounting Hardware (1558M6) (72" L)	1	1
1	E	1167928	Joystick, MK6 Compact with Mounting Hardware (1558M6) (54" L)	1	1
2	A	1108012	Hardware, Dual/Compact Joystick Clamp Mounting	1	1
3		1025048	Clamp	1	1
4		1021460	Screw, Socket Button Head (#10-32 x 5/16")	1	4
5		1025045-NLA	NLA - Clamp, Mounting	1	1
6		1027089-NLA	NLA - Screw, Socket Head (#10-24 x 1/2")	1	1
7		1026273-NLA	NLA - Spacer, Split (3/8" I.D.)	1	1
8	B	60102524	Kit, Chin Cup Assembly - 1826	1	1
9		1017545	Cup, Chin	1	1
10	F	1017612-NLA	NLA - Screw, Adaptor	1	1
11		90032X000	Screw, Set Socket Cup Point (#8-32 x 1/4")	1	1
12	C	1044917	Hardware, Rear Cane Mount (1673/RCM)	1	1
13		1044918-NLA	NLA - Tube, Joystick	1	1
14		1026298	Package, Screw with Washer (#10 x 7/8") (Pair)	1	2
15		1027274	Adjustment Lock Assemnbly, Black	1	1
16		1025245-NLA	NLA - Bracket, Upright, Black -Right	1	1
17		1027095	Plug Button, Black (7/8")	1	1
18	D	1052309	Tube, Arm Mount with Plug Button, Black	1	1
19		1025590	Joystick, Attendant Control (1552M)	1	1
20		1093071	Clamp, Fixed Height Joystick Tube	1	1
21		1139422	Clamp, Height Adjustable Joystick Tube (ARM250)	1	1
22		1123276	Kit, Switch, Black Egg Reset w/ Hook/Loop Adhesive Back Fastener & Attaching Screws (EGSBLK)	1	1
NOTE: A - Includes items 3-7 B - Includes items 9-11 C - Includes items 13-17 D - Includes item 17 E - FDX models use part #1167928 MK6 Compact Joystick that has a 54" long cable length. F - Part #1017612 is no longer available as a service part individually. Order item #8 as a replacement.					