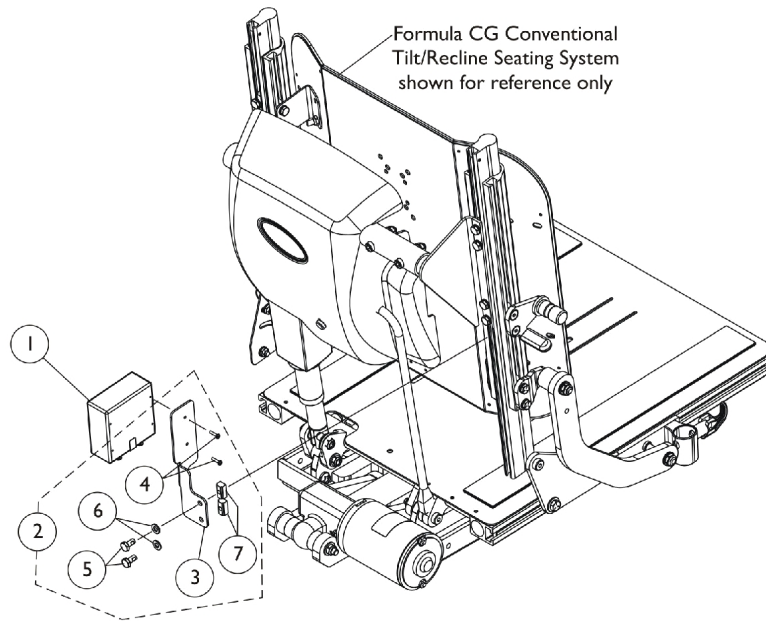
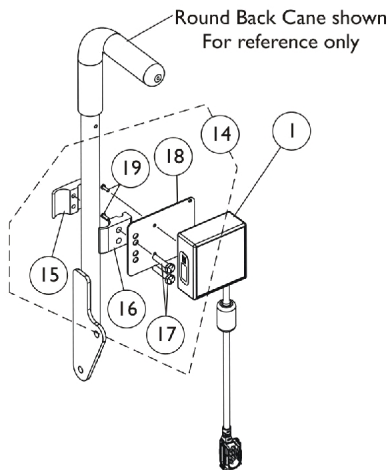


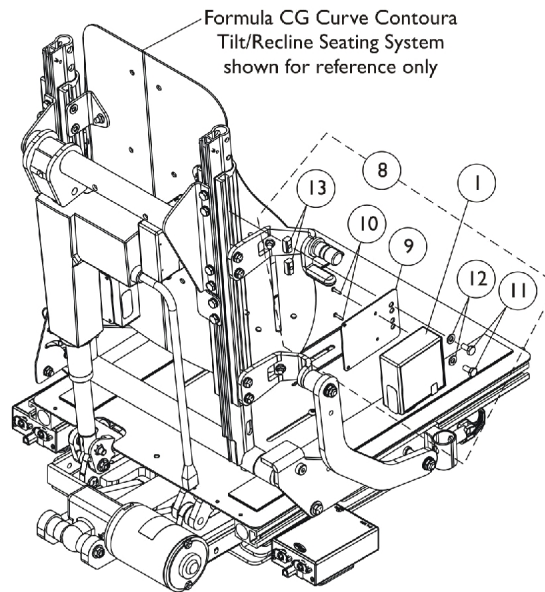
Sip-N-Puff / Digital Interface SNPM6 CGTR/CGTRE - FDX



**Sip-N-Puff/Digital Interface (SNPM6) Mounting Hardware
For Formula CG Conventional Tilt/Recline Seating**



**Mounting Hardware
For Round Back Canes**



**Sip-N-Puff/Digital Interface (SNPM6) Mounting Hardware
For Formula CG Curve Contoura Tilt/Recline Seating**

Sip-N-Puff / Digital Interface SNPM6 CGTR/CGTRE - FDX

Item Number	Note	Part Number	Description	Quantity Per	
				Package	Assembly
1		1167921	Sip-N-Puff w/ Digital Interface - SNPM6 (26" L)	1	1
2	A	1168675-NLA	NLA - Kit, SNP/DI Mounting Hardware	1	1
3			Bracket, Upper Posterior Module, Black	1	1
4			Screw, Phillips Pan Head (#4-40 x 1/2")	1	2
5			Screw, Hex Head w/ Patch (1/4-20 x 1/2")	1	2
6			Washer (1/4 x 1/2 x 1/16")	1	2
7			T-Nut (1/4-20)	1	2
8	B	1168676	Kit, 4WSB Mounting Hardware, Contoura	1	1
9			Plate, Mounting	1	1
10			Screw, Phillips Pan Head (#4-40 x 1/2")	1	2
11			Screw, Hex Head w/ Patch (1/4-20 x 1/2")	1	2
12			Washer (1/4 x 1/2 x 1/16")	1	2
13			T-Nut (1/4-20)	1	2
14	C	1142226	Kit, SNP/DI, 4WSB, S4WSB, GTAM, AUX12M6, AUX34M6, R/L Module Mounting Hardware For Round Back Canes	1	1
15			NLA - Half Clamp, Threaded Holes	1	1
16			Half Clamp, Non-Threaded Holes	1	1
17			NLA - Screw, Hex Head (1/4-20 x 1-1/8")	1	2
18			Plate, Mounting	1	1
19			Screw, Phillips Pan Head (#4-40 x 3/8")	1	2
			Tie Wrap (5-5/8" L)	1	5
	D	1095503-NLA	NLA - Package, Tie Wrap (5-5/8" L)	10	5

NOTE: A - Includes items 3-7
B - Includes items 9-13. 4WSB Mounting Hardware is also used to mount the Sip-N-Puff/Digital Interface on a Formula CGTR/CGTRE with a Curve Contoura Back
C - Includes items 15-19 and (Tie Wraps not shown)
D - Not Shown