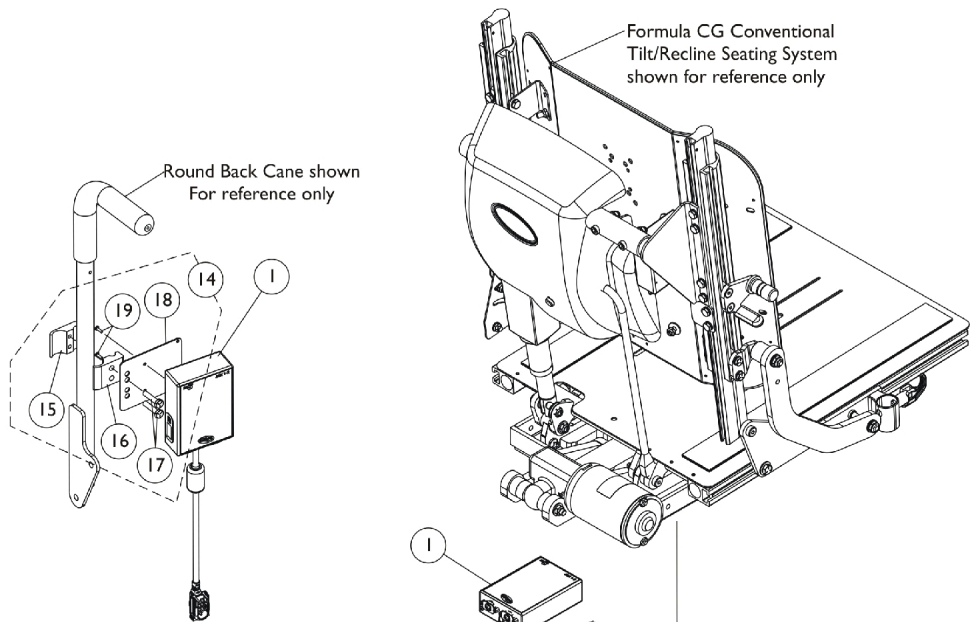
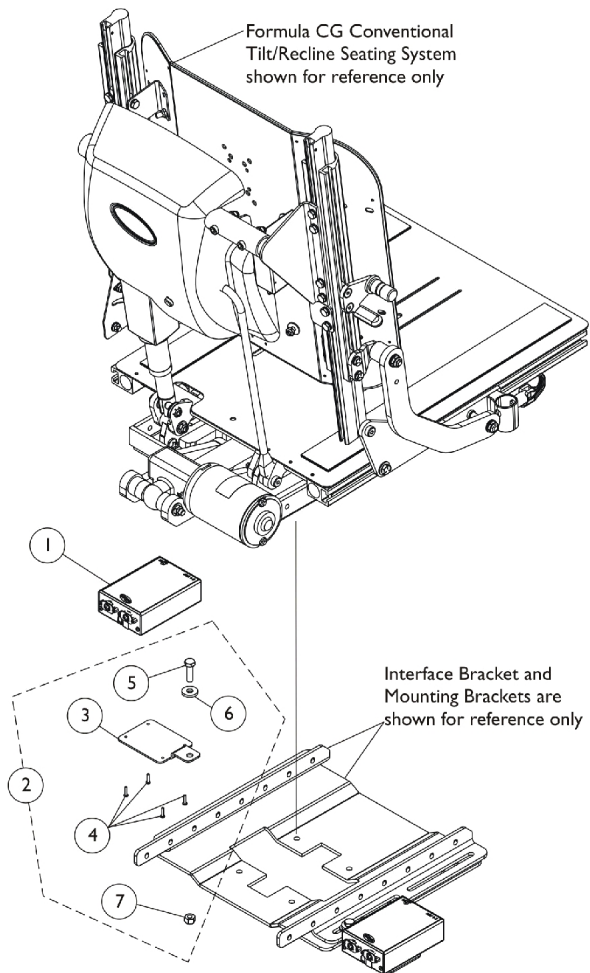


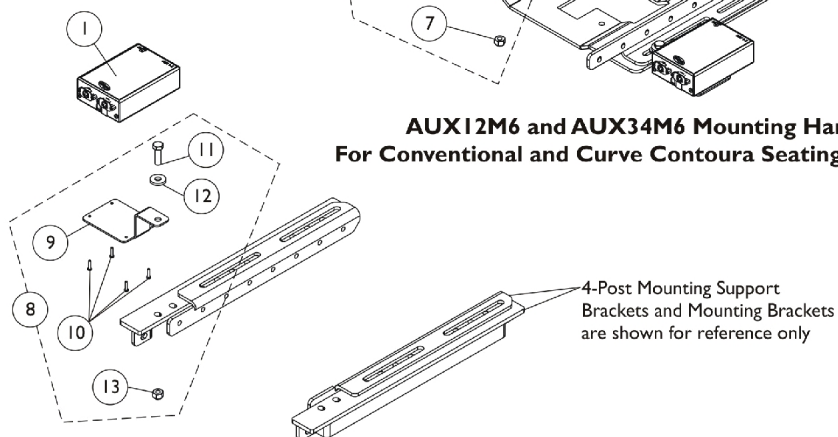
AUX12M6 and AUX34M6 CGTR/CGTRE - FDX



Mounting Hardware For Round Back Canes



AUX12M6 and AUX34M6 Mounting Hardware For Conventional and Curve Contoura Seating with Elevate



AUX12M6 and AUX34M6 Mounting Hardware For Conventional and Curve Contoura Seating without Elevate

AUX12M6 and AUX34M6 CGTR/CGTRE - FDX

Item Number	Note	Part Number	Description	Quantity Per	
				Package	Assembly
1		1167924	Module, Communication, AUX12M6 (40" L)	1	1
1		1167925	Module, Communication, AUX34M6 (40" L)	1	1
2	A	1168674-NLA	NLA - Kit, AUX12M6/AUX34M6 Mounting Hardware, Elevate	1	1
3			Bracket, Module, Elevate, Black	1	1
4			Screw, Phillips Pan Head (#4-40 x 1/2")	1	4
5			Screw, Hex Head (5/16-18 x 1")	1	1
6			Washer, Flat (21/64 x 53/64 x 7/64")	1	1
7			Locknut (5/16-18)	1	1
8	B	1168688	Kit, AUX12M6/AUX34M6 Mounting Hardware, Non-Elevate	1	1
9			Bracket, Module, Non-Elevate, Black	1	1
10			Screw, Phillips Pan Head (#4-40 x 1/2")	1	4
11			Screw, Hex Head (5/16-18 x 1")	1	1
12			Washer, Flat (21/64 x 53/64 x 7/64")	1	1
13			Locknut (5/16-18)	1	1
14	C	1142226	Kit, SNP/DI, 4WSB, S4WSB, GTAM, AUX12M6, AUX34M6, R/L Module Mounting Hardware For Round Back Canes	1	1
15			NLA - Half Clamp, Threaded Holes	1	1
16			Half Clamp, Non-Threaded Holes	1	1
17			NLA - Screw, Hex Head (1/4-20 x 1-1/8")	1	2
18			Plate, Mounting	1	1
19			Screw, Phillips Pan Head (#4-40 x 3/8")	1	2
			Tie Wrap (5-5/8" L)	1	5
	D	1095503-NLA	NLA - Package, Tie Wrap (5-5/8" L)	10	1
NOTE: A - Includes items 3-7. B - Includes items 9-13. C - Includes items 15-19 and (Tie Wraps not shown) D - Not Shown					