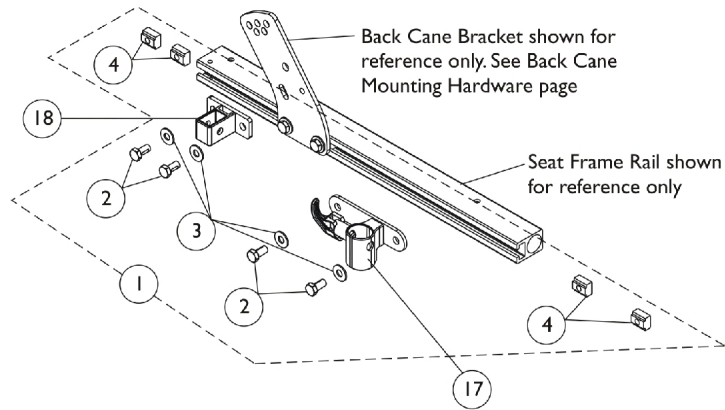
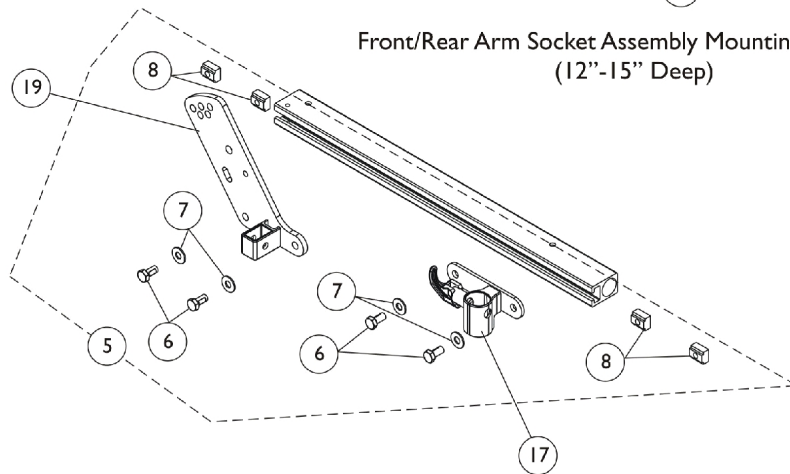


Front/Rear Arm Socket Assembly and Hardware (12" - 16" Wide x 12" - 18" Deep)

Refer to page titled "Back Cane Mounting Hardware For ADJASBA Seats (12" - 16" Wide)" for replacing the Back Cane Bracket for chairs with T-Arms

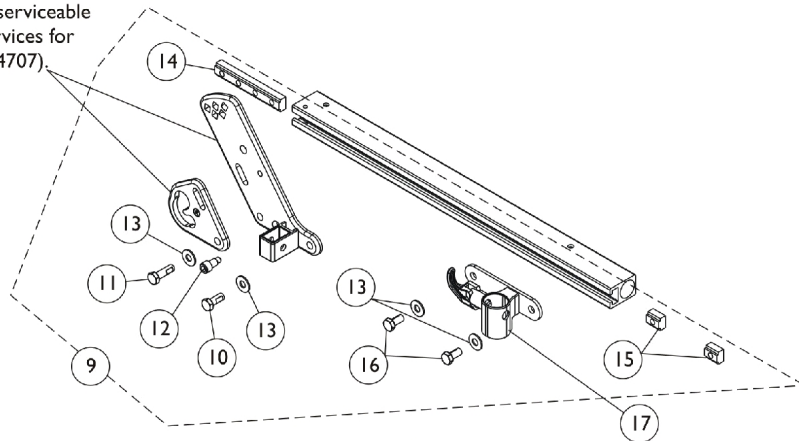


Front/Rear Arm Socket Assembly Mounting Hardware
(12"-15" Deep)



Front/Rear Arm Socket Assembly Mounting Hardware
(16"-18" Deep)

Rear Arm Socket and Pelvic Restraint Belt Mounting Bracket for TRRO option are non-serviceable parts. Call Technical Services for assistance. (1-800-832-4707).



Front/Rear Arm Socket Assembly Mounting Hardware
(16"-18" Deep TRRO option only)

Front/Rear Arm Socket Assembly and Hardware (12" - 16" Wide x 12" - 18" Deep)

Refer to page titled "Back Cane Mounting Hardware For ADJASBA Seats (12" - 16" Wide)" for replacing the Back Cane Bracket for chairs with T-Arms

Item Number	Note	Part Number	Description	Quantity Per	
				Package	Assembly
1	A	1144596	Kit, Front/Rear Arm Socket Asbly. Mtg. Hdw. (12-16" Wide)	1	1
2			Screw, Hex Head w/ Patch (5/16-18 x 5/8")	1	4
3			Washer, Steel (5/16 x 3/4 x 1/16")	1	4
4			T-Nut (5/16-18)	1	4
5	B	1144596	Kit, Front/Rear Arm Socket Asbly. Mtg. Hdw. (12-16" Wide)	1	1
6			Screw, Hex Head w/ Patch (5/16-18 x 5/8")	1	4
7			Washer, Steel (5/16 x 3/4 x 1/16")	1	4
8			T-Nut (5/16-18)	1	4
9	C	1136025-NLA	NLA - Kit, Front/Rear Arm Socket Assembly Mounting Hardware For TRRO Option	1	1
10			Screw, Hex Head w/ Patch (5/16-18 x 3/4")	1	1
11			NLA - Screw, Hex Head w/ Patch (5/16-18 x 1")	1	1
12			Screw, Socket Head (5/16-18 x 3/4")	1	1
13			Washer, Steel (5/16 x 3/4 x 1/16")	1	4
14			T-Nut (5/16-18)	1	1
15			T-Nut (5/16-18)	1	2
16			Screw, Hex Head w/ Patch (5/16-18 x 5/8")	1	2
17		1122619	Socket, Arm, Front - Right	1	1
17		1122620	Socket, Arm, Front - Left	1	1
18		1126142	Socket, Arm, Rear	1	1
19		1125478	Bracket, Arm Socket/Cane, Rear - Right	1	1
19		1125479	Bracket, Arm Socket/Cane, Rear - Left	1	1

NOTE: A - Includes items 2-4. Used for (12"-15" Deep).
 B - Includes items 6-8. Used for (16"-18" Deep).
 C - Includes items 10-16. Used for TRRO option (16"-18" Deep).