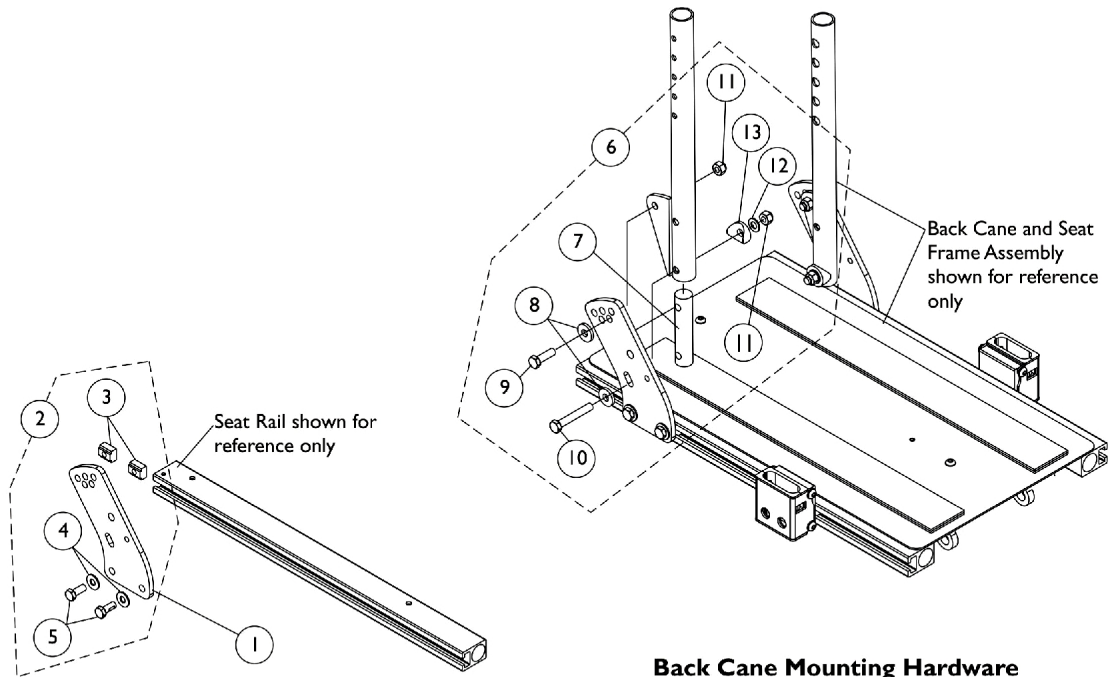


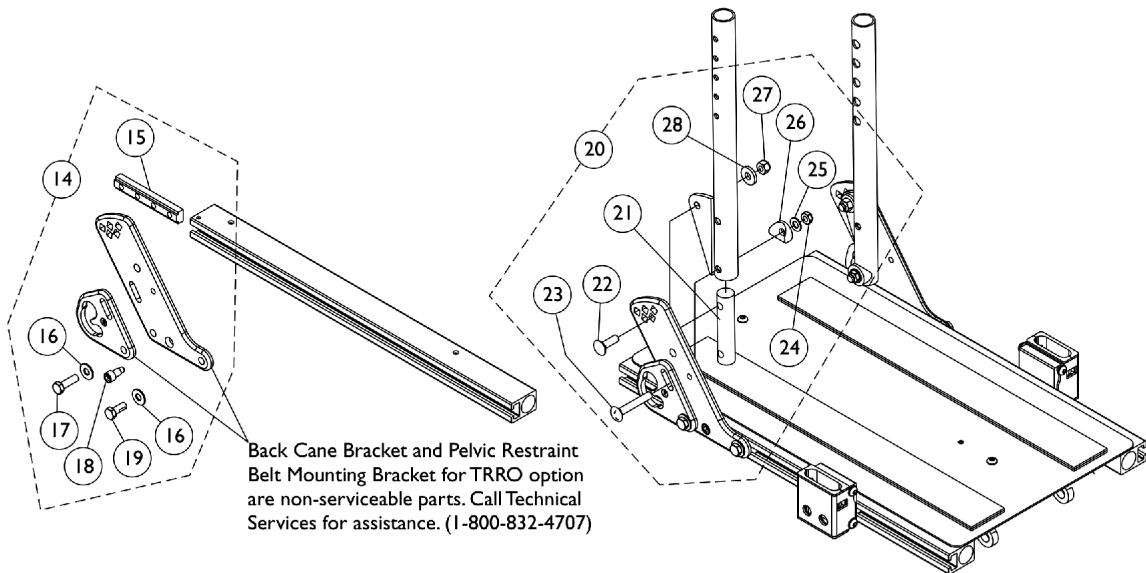
Back Cane Mounting Hardware (12"-16" Wide) ADJASBA Seats

"T"- Arms are used for 12" - 16" Wide and 12" - 18" Deep wheelchairs with TRRO Option and without TRRO Option.



**Back Cane Bracket Mounting Hardware
without TRRO Option**

**Back Cane Mounting Hardware
without TRRO Option**



**Back Cane Bracket Mounting Hardware
with TRRO Option**

**Back Cane Mounting Hardware
with TRRO Option**

Back Cane Mounting Hardware (12"-16" Wide) ADJASBA Seats

"T"- Arms are used for 12" - 16" Wide and 12" - 18" Deep wheelchairs with TRRO Option and without TRRO Option.

Item Number	Note	Part Number	Description	Quantity Per	
				Package	Assembly
1		1146452-NLA	NLA - Bracket, Back Cane Mounting, Black	1	1
2	A	1154110	Kit, Back Cane Bracket Mounting Hardware	1	1
3			T-Nut (5/16-18)	1	2
4			Washer, Steel (5/16 x 3/4 x 1/16")	1	2
5			Screw, Hex Head w/ Patch (5/16-18 x 3/4")	1	2
6	B	1147973	Kit, Back Cane Mounting Hardware (Pair)	1	1
7			NLA - Insert, Back Cane	1	2
8			Washer, Flat (21/64 x 53/64 x 7/64")	1	4
9			Screw, Hex Head (5/16-18 x 1")	1	2
10			NLA - Screw, Hex Head (5/16-18 x 2")	1	2
11			Locknut (5/16-18)	1	4
12			Washer, Flat (5/16 x 5/8 x 1/16")	1	2
13			Spacer, Coved (3/4 x 1 x 1/2")	1	2
14	C	1154111-NLA	NLA - Kit, Back Cane Bracket Mounting Hardware TRRO	1	1
15			T-Nut (5/16-18)	1	1
16			Washer, Steel (5/16 x 3/4 x 1/16")	1	2
17			NLA - Screw, Hex Head w/ Patch (5/16-18 x 1")	1	1
18			Screw, Socket Head (5/16-18 x 3/4")	1	1
19			Screw, Hex Head w/ Patch (5/16-18 x 3/4")	1	1
20	D	1147968	Kit, Back Cane Mounting Hardware TRRO (Pair)	1	1
21			NLA - Insert, Back Cane	1	2
22			Bolt, Round Head Square Neck (5/16-18 x 1")	1	2
23			Screw, Round Head Square Neck (5/16-18 x 2")	1	2
24			Locknut (5/16-18)	1	2
25			Washer, Flat (5/16 x 5/8 x 1/16")	1	2
26			Spacer, Coved (3/4 x 1 x 1/2")	1	2
27			Locknut (5/16-18)	1	2
28			Washer, Flat (21/64 x 53/64 x 7/64")	1	2

NOTE: A - Includes items 3-5
 B - Includes items 7-13
 C - Includes items 15-19
 D - Includes items 21-28