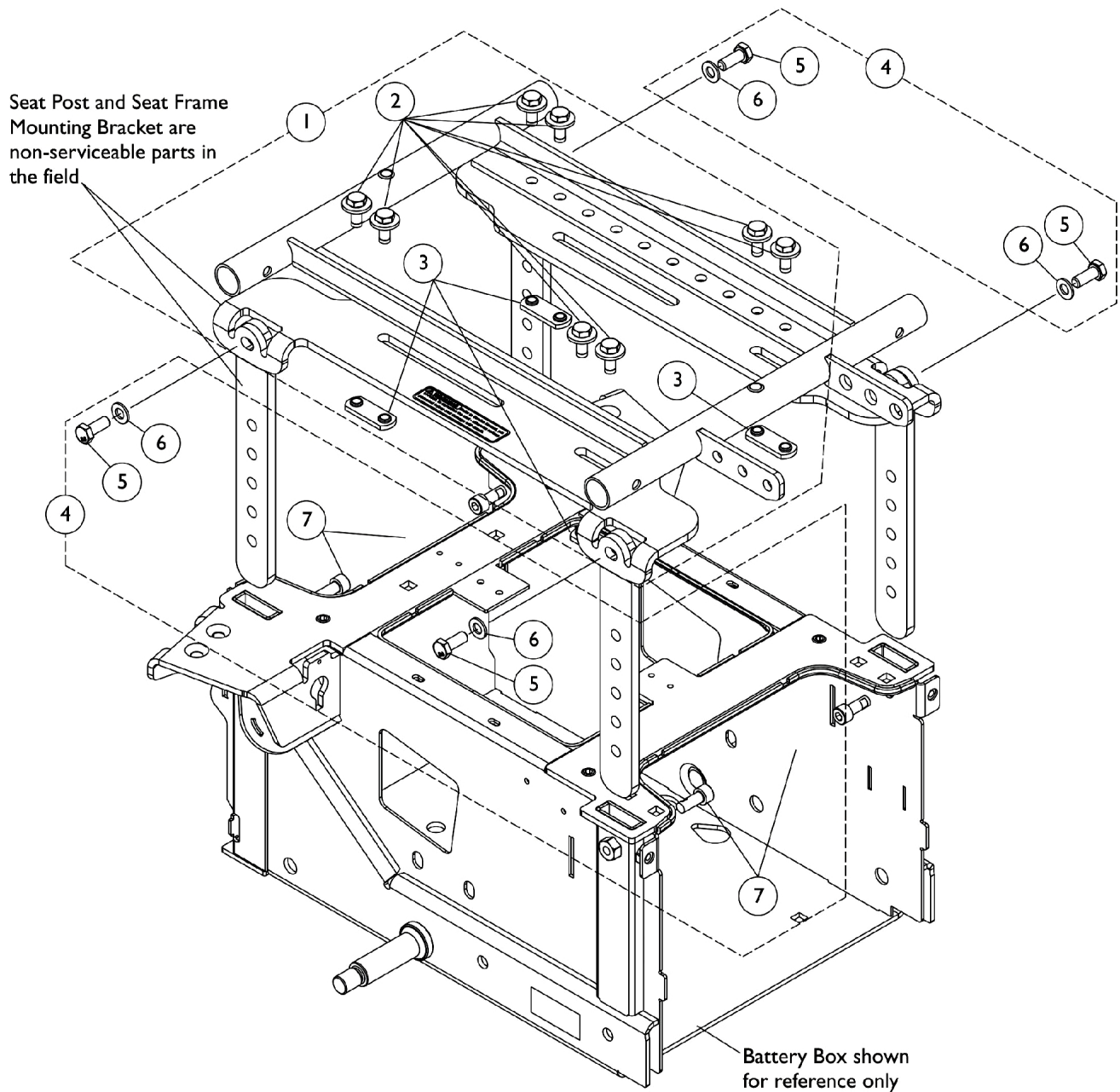


ADJASBA Seat Frame Mounting Hardware

Non-Elevate (12" - 22" Wide)

Non-serviceable parts in the field require the wheelchair to be returned to Invacare for repair. Call Technical Services for assistance (1-800-832-4707)



ADJASBA Seat Frame Mounting Hardware

Non-Elevate (12" - 22" Wide)

Non-serviceable parts in the field require the wheelchair to be returned to Invacare for repair. Call
Technical Services for assistance (1-800-832-4707)

Item Number	Note	Part Number	Description	Quantity Per	
				Package	Assembly
1	A	1168899-NLA	NLA - Kit, Seat Frame Mounting Hardware, Non-Elevate and Elevate	1	1
2			Screw, Hex Head SEMS w/ Patch (5/16-18 x 3/4")	1	8
3			NLA - Nut, Weld (5/16-18 x 1-1/8" Spacing)	1	4
4	B	1168898	Kit, Seat Post Mounting Hardware, Non-Elevate	1	1
5			Screw, Hex Head w/ Patch (M8 x 1.25 x 20mm)	1	4
6			NLA - Washer, Steel (8.4mm x 16mm x 1.6mm)	1	4
7			Screw, Socket Head w/ Patch (M8 x 1.25 x 20mm)	1	4
NOTE: A - Includes items 2 and 3. B - Includes items 5-7.					