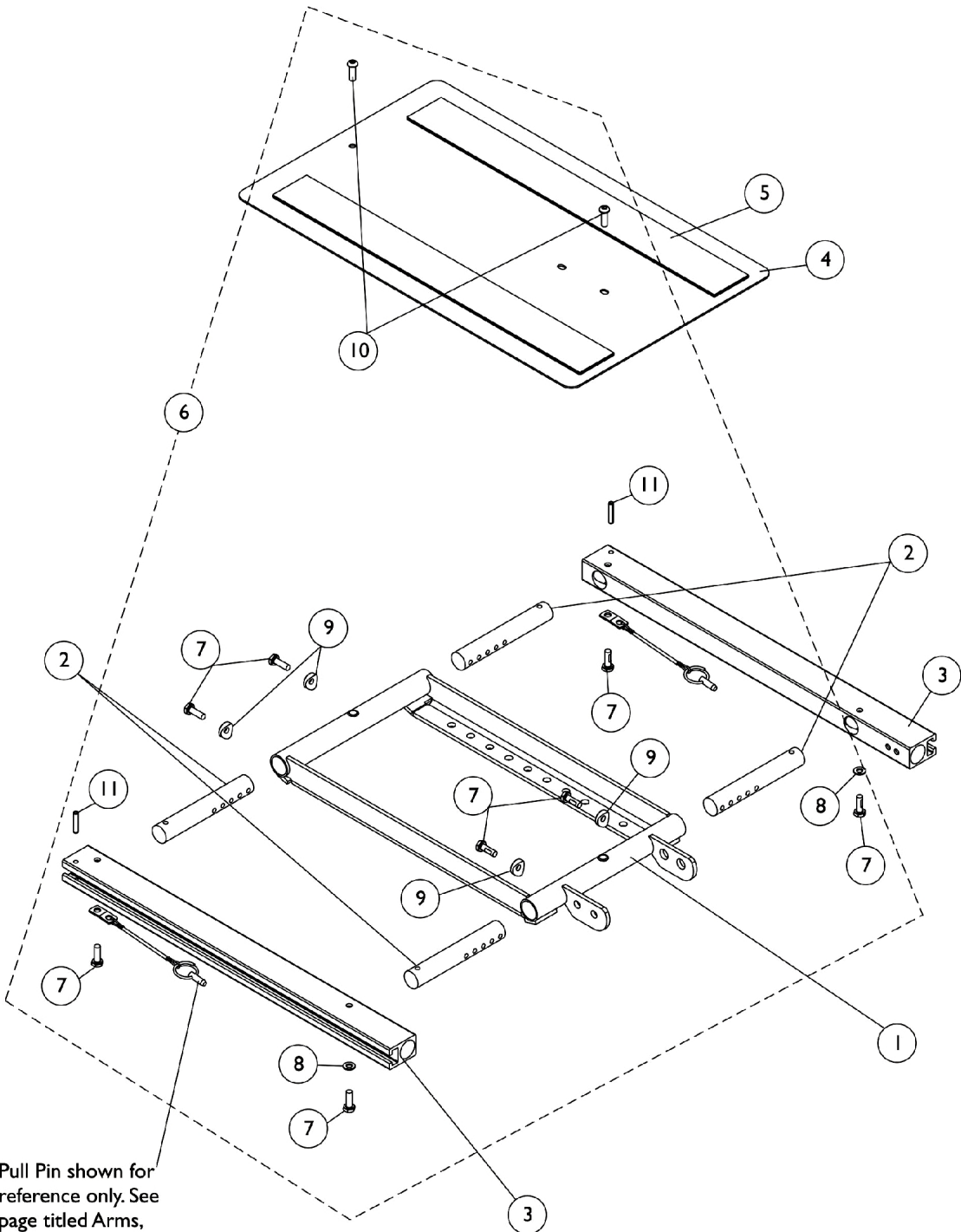


ADJASBA Seat Frame, Seat Pan and Hardware (12"-16" Wide)



Pull Pin shown for reference only. See page titled Arms, Mounting Swingaway Hardware

ADJASBA Seat Frame, Seat Pan and Hardware (12"-16" Wide)

Item Number	Note	Part Number	Description	Quantity Per	
				Package	Assembly
1		1163033-NLA	NLA - Frame, Center Seat, Black	1	1
2		1126126-NLA	NLA - Crossbar, Seat Frame (12 - 16" W)	1	4
3		1122647	Rail, Seat Frame (16 - 20" D For Formula TRE and 16 - 19" D For ADJASBA)	1	2
4	A	1142961	Pan, Seat, with Hook and Loop Fasteners (12 - 16" W x 12 - 18" D)	1	1
5		1043082	Hook Fastener with Adhesive Back (2" W x 18" L)	1	2
5		1044580	Loop Fastener with Adhesive Back (2" W x 18" L)	1	2
6	B	1135501	Kit, Seat Frame Assembly Hardware	1	1
7			Screw, Hex Head w/ Patch (1/4-20 x 3/4")	1	8
8			Washer (1/4 x 1/2 x 1/16")	1	2
9			Spacer, Coved (1/4 x 11/16 x 1/2")	1	4
10			Screw, Socket Button (1/4-20 x 3/4")	1	2
11			NLA - Pin, Roll (3/16 x 1")	1	2

NOTE: A - Includes item 5.
B - Includes items 7-11.