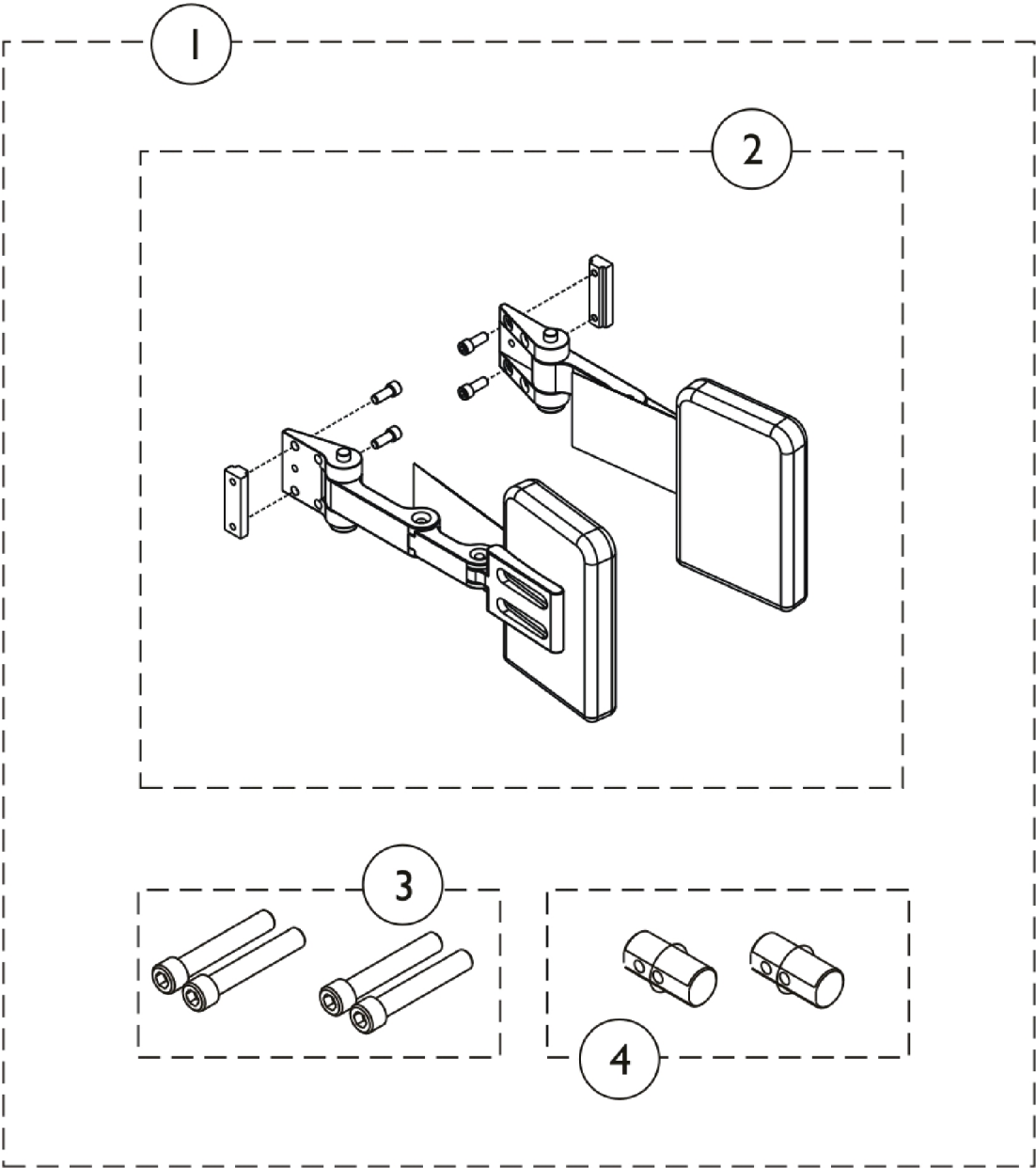


Adductors



Adductors

Item Number	Note	Part Number	Description	Quantity Per	
				Package	Assembly
1	A	1164876	Kit, Universal Stealth Adductor w/ Hardware Retrofit (4" W x 4" H) (Pair)	1	1
2			NLA - Adductor w/ Hardware (4" W x 4" H) (Pair)	1	1
3			Screw, Socket Head Cap w/ Patch (1/4-20 x 1-1/2")	1	4
4			Plug, Support	1	2
1	A	1164877	Kit, Universal Stealth Adductor w/ Hardware Retrofit (4" W x 6" H) (Pair)	1	1
2			NLA - Adductor w/ Hardware (4" W x 6" H) (Pair)	1	1
3			Screw, Socket Head Cap w/ Patch (1/4-20 x 1-1/2")	1	4
4			Plug, Support	1	2

NOTE: A - Includes items 2-4. Not all hardware will be used for all configurations. Parts maybe necessary depending on product configuration.