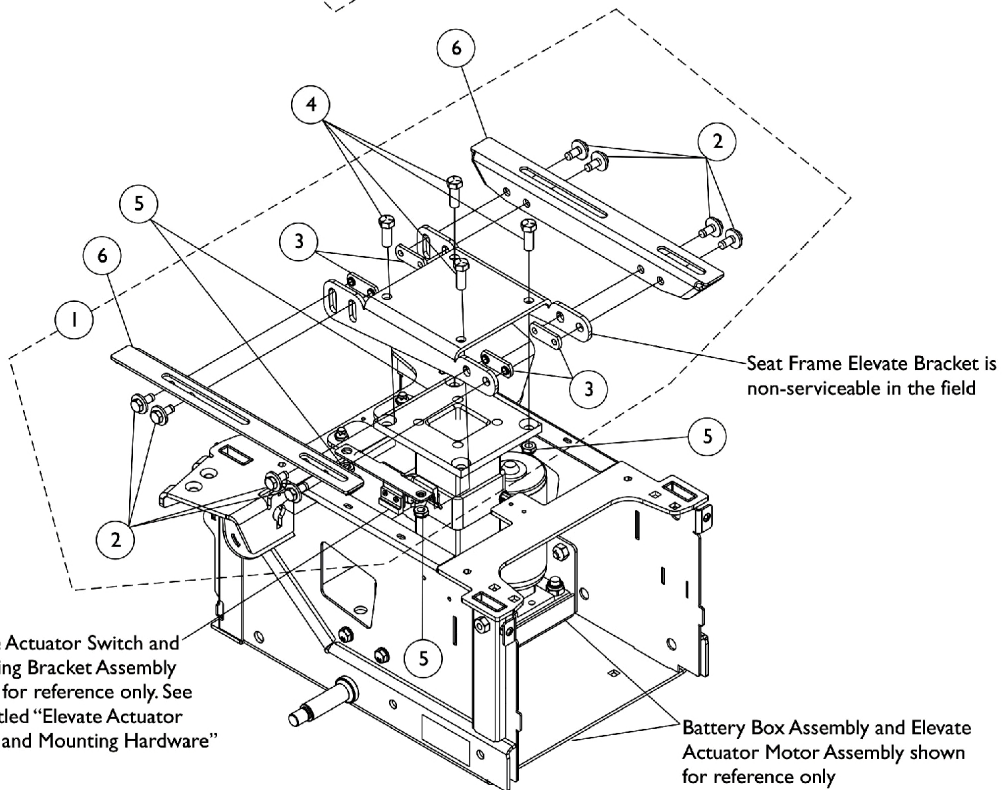
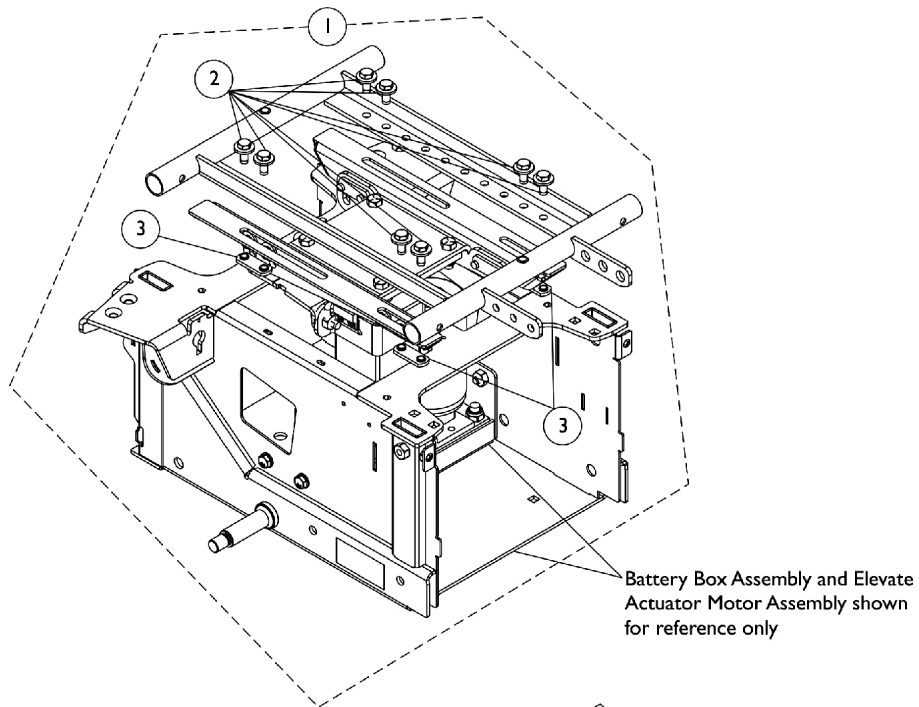


ADJASBA Seat Frame Mounting Hardware

Elevate - CGE (12" - 22" Wide)

Non-serviceable parts in the field require the wheelchair to be returned to Invacare for repair. Call Technical Services for assistance (1-800-832-4707)



Elevate Actuator Switch and Mounting Bracket Assembly shown for reference only. See page titled "Elevate Actuator Motor and Mounting Hardware"

Battery Box Assembly and Elevate Actuator Motor Assembly shown for reference only

ADJASBA Seat Frame Mounting Hardware

Elevate - CGE (12" - 22" Wide)

Non-serviceable parts in the field require the wheelchair to be returned to Invacare for repair. Call Technical Services for assistance (1-800-832-4707)

Item Number	Note	Part Number	Description	Quantity Per	
				Package	Assembly
1	A	1168899-NLA	NLA - Kit, Seat Frame Mounting Hardware, Non-Elevate and Elevate	1	1
2			Screw, Hex Head SEMS w/ Patch (5/16-18 x 3/4")	1	8
3			NLA - Nut, Weld (5/16-18 x 1-1/8" Spacing)	1	4
4		1065939-NLA	NLA - Screw, Hex Head (3/8-16 x 1")	1	4
5		1028486	Locknut, Low Profile (3/8-16)	1	4
6		1163050-NLA	NLA - Bracket, Seat Frame Elevate Mounting Bracket, Black - Right	1	1
6		1163051-NLA	NLA - Bracket, Seat Frame Elevate Mounting Bracket, Black - Left	1	1
NOTE: A - Includes items 2 and 3. Part # 1168899 Hardware can be used to mount the Center Seat Frame or the Right and Left side Seat Frame Elevate Mounting Brackets.					