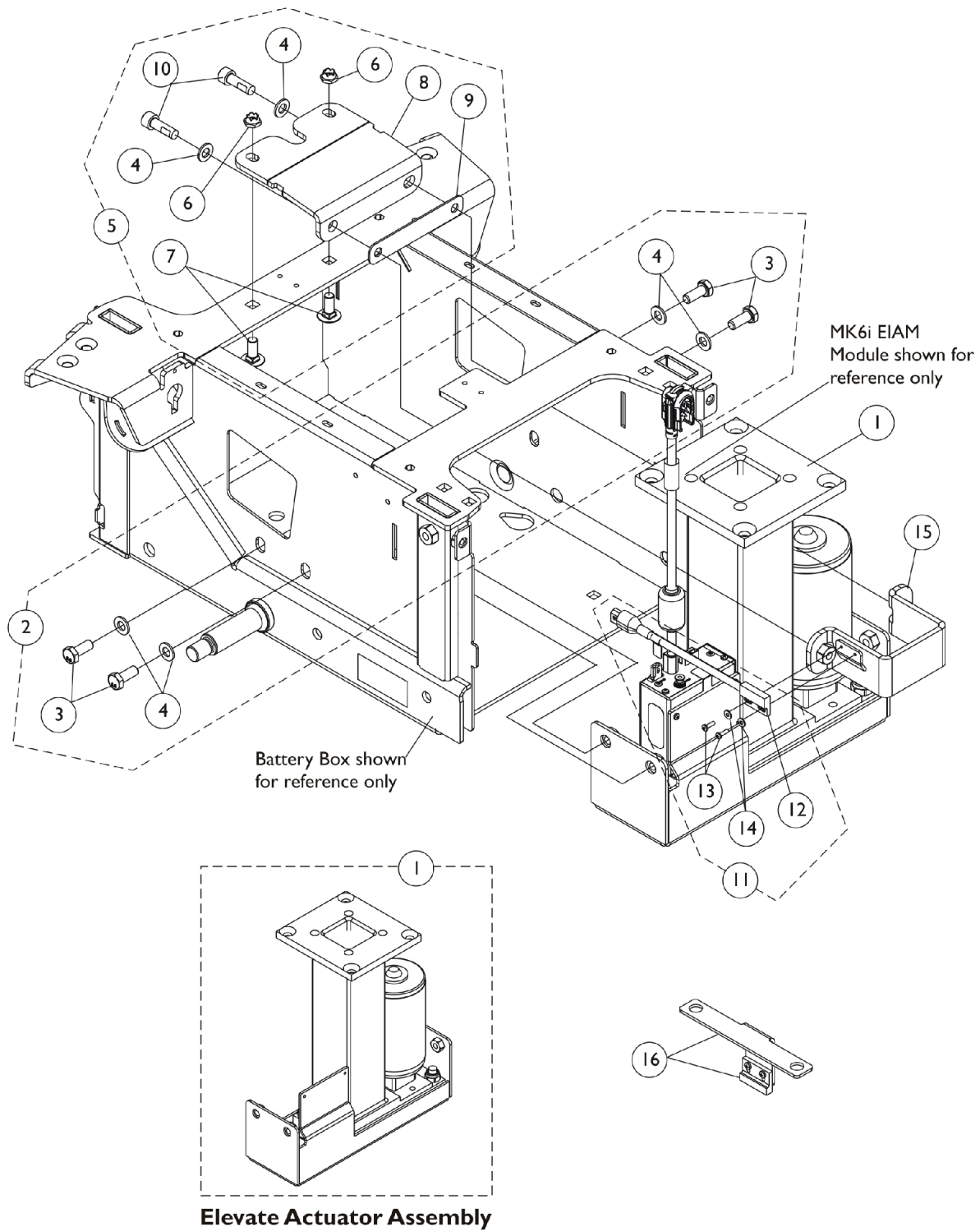


Elevate Actuator Motor and Mounting Hardware CGE



Elevate Actuator Motor and Mounting Hardware CGE

Item Number	Note	Part Number	Description	Quantity Per	
				Package	Assembly
1		1168911	Actuator Motor Assembly, Elevate	1	1
2	A	1168908	Kit, Elevate Actuator Mounting Hardware	1	1
3			Screw, Hex Head w/ Patch (M8 x 1.25 x 20mm)	1	4
4			NLA - Washer, Steel (8.4mm x 16mm x 1.6mm)	1	4
5	B	1168907	Kit, Elevate Support Bracket and Hardware	1	1
4			NLA - Washer, Steel (8.4mm x 16mm x 1.6mm)	1	2
6			NLA - Locknut (M8 x 1.25)	1	2
7			NLA - Bolt, Round Head Square Neck (M8 x 1.25 x 20mm)	1	2
8			Bracket, Elevate Mounting, Black	1	1
9			Isolator, Rubber	1	1
10			Screw, Socket Head w/ Patch (M8 x 1.25 x 25mm)	1	2
11	C	1168909	Kit, Sensor, Proximity Switch and Hardware	1	1
12			Sensor, Proximity Switch (7" L)	1	1
13			NLA - Screw, Phillips Pan Head (#4-40 x 3/8")	1	2
14			NLA - Washer, Plain (1/8 x 5/16 x 1/32")	1	2
15		1163047	Bracket, Elevate Actuator Mounting, Black	1	1
16	D	1166200-NLA	NLA - Elevate Actuator Switch and Mounting Bracket Assembly	1	1

NOTE: A - Includes items 3 and 4
B - Includes items 4 and 6-10
C - Includes items 12-14.
D - Item #11 Proximity Switch Sensor mates up with item #16 to establish a connection. Item #16 shares hardware with the Seat Frame Mounting Hardware. See page titled "ADJASBA Seat Frame Mounting Hardware - Elevate (CGE)" for additional assembly information.