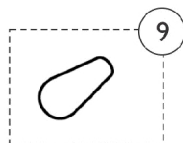
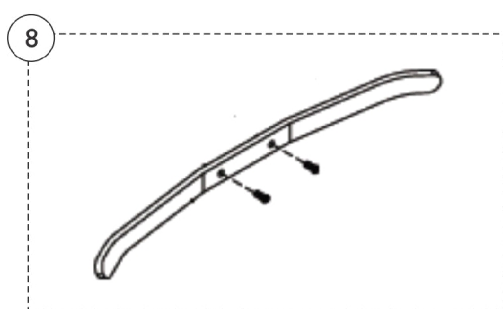
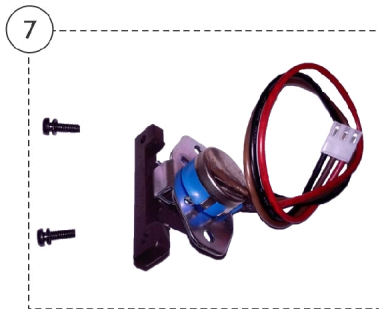
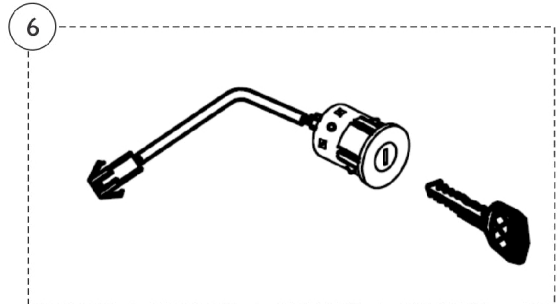
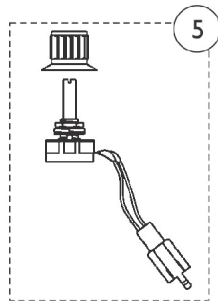
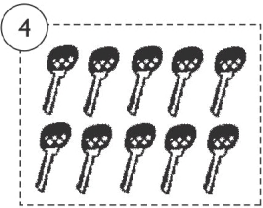
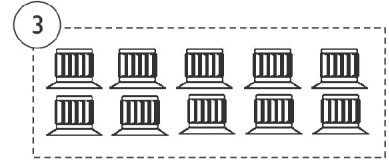
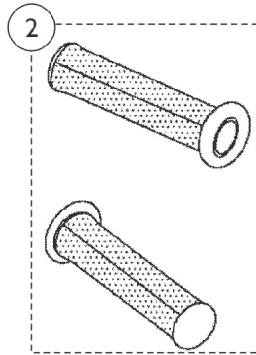


# Tiller Maintenance



## Tiller Maintenance

Item Number	Note	Part Number	Description	Quantity Per	
				Package	Assembly
1		1505950	Top Tiller Shroud w/ Control Panel Assembly	1	1
2		1144802	Hand Grip (Pair)	1	2
3		1144792	Package, Speed Control Knob	10	1
4		1164848	Package, Ignition Key	10	1
5		1164847	Speed Potentiometer Assembly w/ Knob	1	1
6		1168408	Ignition Switch w/ Key Assembly	1	1
7	A	1506151	Kit, Throttle Potentiometer Assembly w/ Hardware	1	1
8		1169008	Throttle Lever w/ Hardware	1	1
9		1505416	Handle, Tiller Adjustment	1	1

NOTE: A - Kit includes the Starter Potentiometer Assembly and 2 ea. attaching Screws. Throttle Lever is not included with kit.