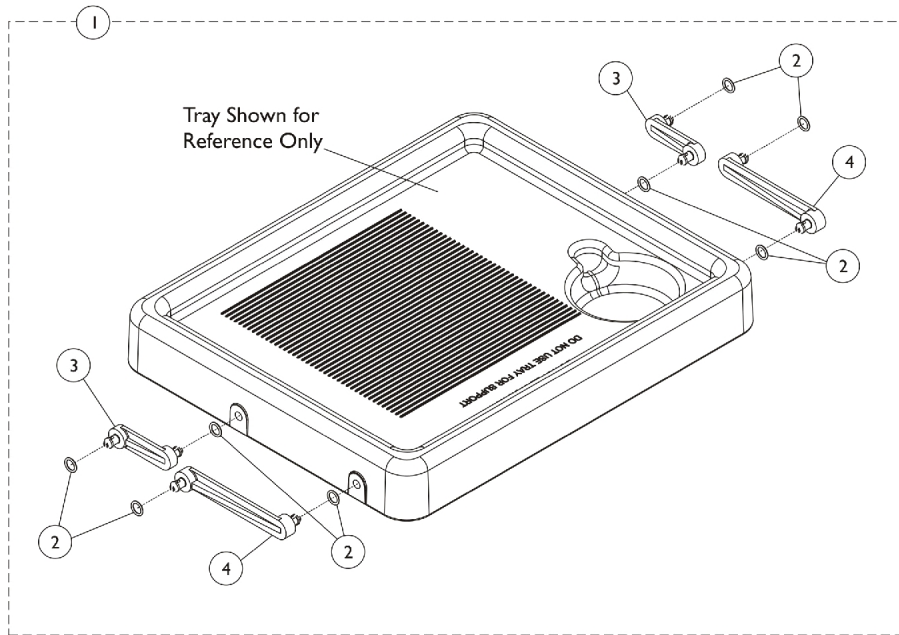


# Walker Tray Hardware - Model 6002



Item Number	Note	Part Number	Description	Quantity Per	
				Package	Assembly
1	A,B	1156512	NLA - Kit, Tray Hardware, 6002	1	1
2			See Footnote	1	8
3			Link, Upper	1	2
4			Link, Lower	1	2
NOTE: A - Includes items 2-4. B - Item 2 is no longer serviceable in the field.					