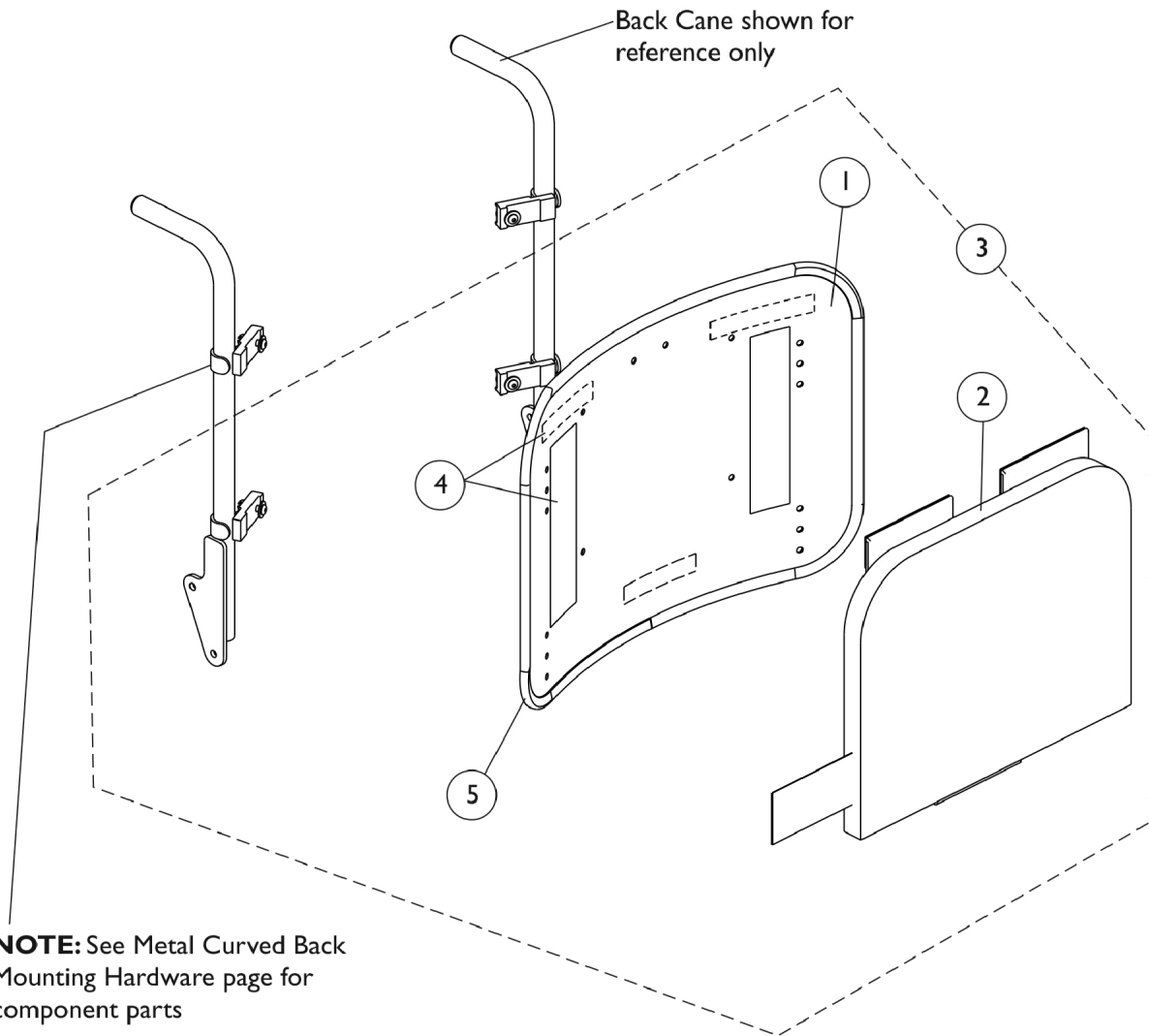


# Metal Curved Back Assembly

**NOTE:** Curved Back mounts only to back canes without a 10 degree bend.

**NOTE:** As of 8/15/08 the Curved Back material changed from ABS Plastic to Metal as inventory runs out. You must ask the customer if they have an ABS Plastic or the Metal Curved Back model when replacing components. All service replacement Back Assemblies with Hardware shipped will be metal. New Headrest Mounting Hardware is required when replacing an ABS Curved Back with a Metal Curved Back.



# Metal Curved Back Assembly

**NOTE: Curved Back mounts only to back canes without a 10 degree bend.**

**NOTE: As of 8/15/08 the Curved Back material changed from ABS Plastic to Metal as inventory runs out. You must ask the customer if they have an ABS Plastic or the Metal Curved Back model when replacing components. All service replacement Back Assemblies with Hardware shipped will be metal. New Headrest Mounting Hardware is required when replacing an ABS Curved Back with a Metal Curved Back.**

Item Number	Note	Part Number	Description	Quantity Per	
				Package	Assembly
1		See Chart	#1 Back Pan w/ Vinyl Edge Trim 16"-18" Wide	1	1
1		See Chart	#1 Back Pan w/ Vinyl Edge Trim 19"-20" Wide	1	1
2		See Chart	#2 Back Cushion Assembly 16"-18" Wide	1	1
2		See Chart	#2 Back Cushion Assembly 19"-20" Wide	1	1
3		See Chart	#3 Back Assembly with Hardware 16"-18" Wide	1	1
3		See Chart	#3 Back Assembly with Hardware 19"-20" Wide	1	1
4	A	1125723	Kit, Hook Fastener w/ Adhesive Back	1	1
5		1125724-NLA	NLA - Trim, Edge, Cut-To-Length, Vinyl Black (96" L)	1	1

**NOTE:** A - Hook Fastener Adhesive Kit is used to attach the Back Cover to the Back Pan and must be ordered when a new Back Pan or Back Assembly is requested.

## #1 Back Pan w/ Vinyl Edge Trim - 16"-18" Wide

Overall Back Height	Material Back Height	16" Wide	17" Wide	18" Wide
16"	11"	1157826	1157837	1157848
17"	12"	1157827	1157838	1157849
18"	13"	1157828	1157839	1157850
19"	14"	1157829	1157840	1157851
20"	15"	1157830	1157841	1157852
21"	16"	1157831	1157842	1157853
22"	17"	1157832	1157843	1157854
23"	18"	1157833	1157844	1157855
24"	19"	1157834	1157845	1157856
25"	20"	1157835	1157846	1157857
26"	21"	1157836	1157847	1157858

**NOTE:** Hook Fastener Adhesive Kit must be ordered when a Back Pan or Back Assembly is requested. This will allow the Loop Fastener Adhesive on the Back Cover to attach properly.

# Metal Curved Back Assembly

**NOTE: Curved Back mounts only to back canes without a 10 degree bend.**

**NOTE: As of 8/15/08 the Curved Back material changed from ABS Plastic to Metal as inventory runs out. You must ask the customer if they have an ABS Plastic or the Metal Curved Back model when replacing components. All service replacement Back Assemblies with Hardware shipped will be metal. New Headrest Mounting Hardware is required when replacing an ABS Curved Back with a Metal Curved Back.**

## #1 Back Pan w/ Vinyl Edge Trim - 19"-20" Wide

Overall Back Height	Material Back Height	19" Wide	20" Wide
16"	11"	1157859	1157870
17"	12"	1157860	1157871
18"	13"	1157861	1157872
19"	14"	1157862	1157873
20"	15"	1157863	1157874
21"	16"	1157864	1157875
22"	17"	1157865	1157876
23"	18"	1157866	1157877
24"	19"	1157867	1157878
25"	20"	1157868	1157879
26"	21"	1157869	1157880

NOTE: Hook Fastener Adhesive Kit must be ordered when a Back Pan or Back Assembly is requested. This will allow the Loop Fastener Adhesive on the Back Cover to attach properly.

## Metal Curved Back Assembly

NOTE: Curved Back mounts only to back canes without a 10 degree bend.

NOTE: As of 8/15/08 the Curved Back material changed from ABS Plastic to Metal as inventory runs out. You must ask the customer if they have an ABS Plastic or the Metal Curved Back model when replacing components. All service replacement Back Assemblies with Hardware shipped will be metal. New Headrest Mounting Hardware is required when replacing an ABS Curved Back with a Metal Curved Back.

### #2 Back Cushion Assembly - 16"-18" Wide

Overall Back Height	Material Back Height	16" Wide	17" Wide	18" Wide
16"	12-1/2"	1160207	1160218	1160229
17"	13-1/2"	1160208	1160219	1160230
18"	14-1/2"	1160209	1160220	1160231
19"	15-1/2"	1160210	1160221	1160232
20"	16-1/2"	1160211	1160222	1160233
21"	17-1/2"	1160212	1160223	1160234
22"	18-1/2"	1160213	1160224	1160235
23"	19-1/2"	1160214	1160225	1160236
24"	20-1/2"	1160215	1160226	1160237
25"	21-1/2"	1160216	1160227	1160238
26"	22-1/2"	1160217	1160228	1160239

NOTE: Back cover and foam are sold as a Back Cushion Assembly only.

## Metal Curved Back Assembly

NOTE: Curved Back mounts only to back canes without a 10 degree bend.

NOTE: As of 8/15/08 the Curved Back material changed from ABS Plastic to Metal as inventory runs out. You must ask the customer if they have an ABS Plastic or the Metal Curved Back model when replacing components. All service replacement Back Assemblies with Hardware shipped will be metal. New Headrest Mounting Hardware is required when replacing an ABS Curved Back with a Metal Curved Back.

### #2 Back Cushion Assembly - 19"-20" Wide

Overall Back Height	Material Back Height	19" Wide	20" Wide
16"	12-1/2"	1097378-NLA	1097379-NLA
17"	13-1/2"	1097385-NLA	1097386-NLA
18"	14-1/2"	1097392	1097393
19"	15-1/2"	1097399	1097400
20"	16-1/2"	1097406	1097407
21"	17-1/2"	1097413	1097414
22"	18-1/2"	1097420	1097421
23"	19-1/2"	1097427	1097428
24"	20-1/2"	1097434	1097435
25"	21-1/2"	1160249	1160260
26"	22-1/2"	1160250	1160261

NOTE: Back cover and foam are sold as a Back Cushion Assembly only.

# Metal Curved Back Assembly

**NOTE: Curved Back mounts only to back canes without a 10 degree bend.**

**NOTE: As of 8/15/08 the Curved Back material changed from ABS Plastic to Metal as inventory runs out. You must ask the customer if they have an ABS Plastic or the Metal Curved Back model when replacing components. All service replacement Back Assemblies with Hardware shipped will be metal. New Headrest Mounting Hardware is required when replacing an ABS Curved Back with a Metal Curved Back.**

## #3 Back Assembly with Hardware - 16"-18" Wide

Overall Back Height	Material Back Height ABS Plastic Curved	Material Back Height Metal Curved	16" Wide	17" Wide	18" Wide
16"	12"	11"	1106973-NLA	1106983	1106993
17"	13"	12"	1106974	1106984	1106994
18"	14"	13"	1106975	1106985	1106995
19"	15"	14"	1106976	1106986	1106996
20"	16"	15"	1106977	1106987	1106997
21"	17"	16"	1106978	1106988	1106998
22"	18"	17"	1106979	1106989	1106999
23"	19"	18"	1106980	1106990	1107000
24"	20"	19"	1106981	1106991	1107001
25"	21"	20"	1160306	1160308	1160310
26"	22"	21"	1160307	1160309	1160311

NOTE: Hook Fastener Adhesive Kit must be ordered when a Back Pan or Back Assembly is requested. This will allow the Loop Fastener Adhesive on the Back Cover to attach properly.

NOTE: When ordering Metal Curved Back assemblies to replace ABS Back Pans, match the wheelchair width by the material back height to determine the correct part number to order.

# Metal Curved Back Assembly

**NOTE: Curved Back mounts only to back canes without a 10 degree bend.**

**NOTE: As of 8/15/08 the Curved Back material changed from ABS Plastic to Metal as inventory runs out. You must ask the customer if they have an ABS Plastic or the Metal Curved Back model when replacing components. All service replacement Back Assemblies with Hardware shipped will be metal. New Headrest Mounting Hardware is required when replacing an ABS Curved Back with a Metal Curved Back.**

## #3 Back Assembly with Hardware - 19"-20" Wide

Overall Back Height	Material Back Height ABS Plastic Curved	Material Back Height Metal Curved	19" Wide	20" Wide
16"	12"	11"	1107003	1107013
17"	13"	12"	1107004	1107014
18"	14"	13"	1107005	1107015
19"	15"	14"	1107006	1107016
20"	16"	15"	1107007	1107017
21"	17"	16"	1107008	1107018
22"	18"	17"	1107009	1107019
23"	19"	18"	1107010	1107020
24"	20"	19"	1107011	1107021
25"	21"	20"	1160312	1160314
26"	22"	21"	1160313	1160315

NOTE: Hook Fastener Adhesive Kit must be ordered when a Back Pan or Back Assembly is requested. This will allow the Loop Fastener Adhesive on the Back Cover to attach properly.

NOTE: Hook Fastener Adhesive Kit must be ordered when a Back Pan or Back Assembly is requested. This will allow the Loop Fastener Adhesive on the Back Cover to attach properly.

NOTE: When ordering Metal Curved Back assemblies to replace ABS Back Pans, match the wheelchair width by the material back height to determine the correct part number to order.