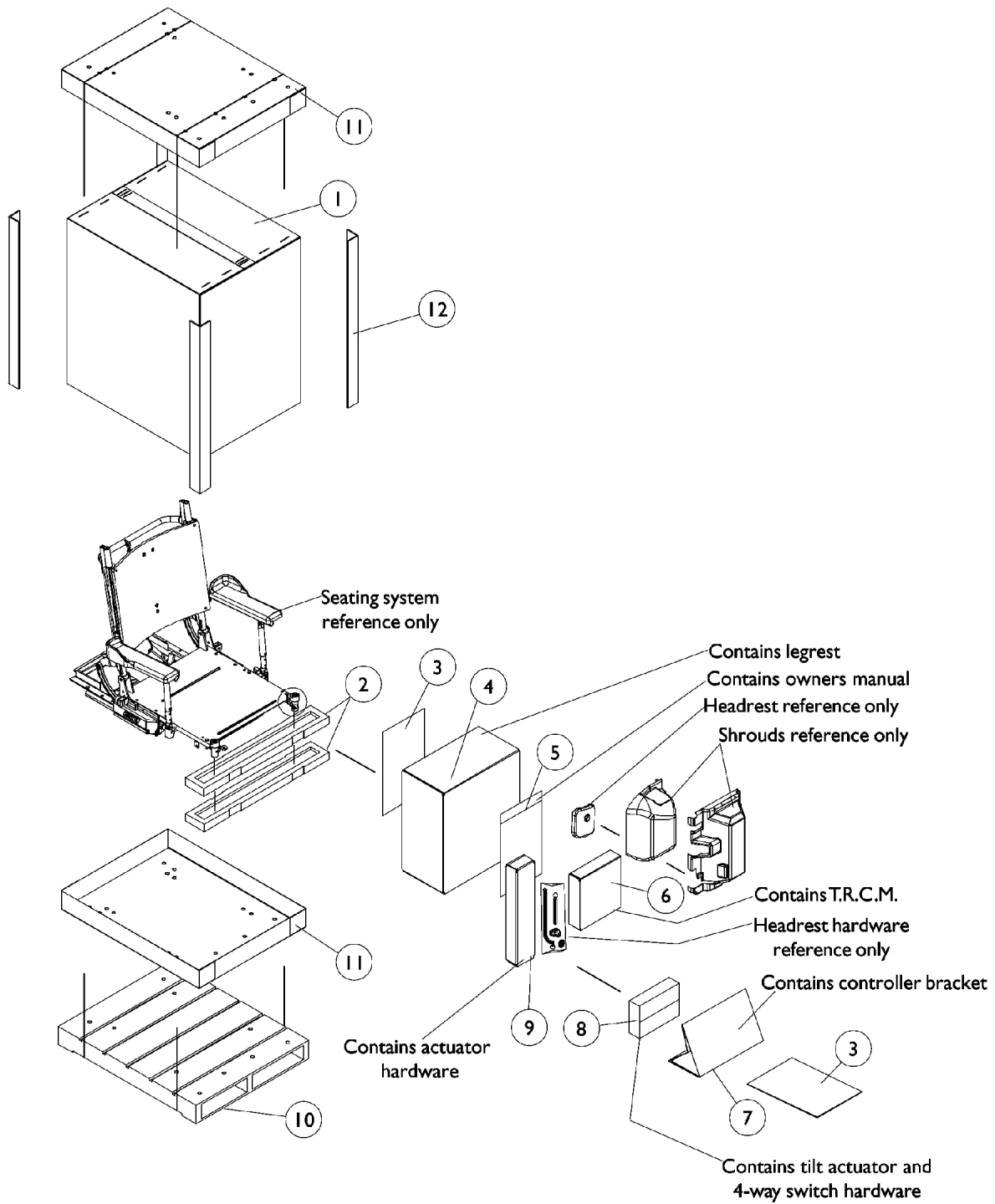


Packaging & Literature



Packaging & Literature

Item Number	Note	Part Number	Description	Quantity Per	
				Package	Assembly
1	B	1030364	Carton, Cover	1	1
2		1091514-NLA	NLA - Insert, Carton	1	1
3		40131X161	Insert, Plain Pad	1	2
4		1106472-NLA	NLA - Carton	1	1
5		1021149-NLA	NLA - Bag, Poly Zip-Lip (13" L x 9" W)	1	1
6		1080876-NLA	NLA - Carton	1	1
7		1092284-NLA	NLA - Insert, Carton	1	1
8		40131X045-NLA	NLA - Carton	1	1
9		1091517-NLA	NLA - Carton	1	1
10	D	See Note	See Footnote	1	1
11		1030362	Carton, Tray	1	2
12		1115174	Carton, Corner Reinforcement	1	4
	A	00077X031-NLA	NLA - Warranty Card	1	1
	A,B,E	1134791-NLA	NLA - Owner's Manual, 3G Storm with MKIV Electronics	1	1
	A,C	1031682	Carton, Cover	1	1
	A,C	1030362	Carton, Tray	1	1

NOTE: A - Not Shown
 B - All Systems
 C - Complete Seating Systems with Chair Base
 D - Wood skid not supplied
 E - Item is no longer available from the Invacare Service Parts Department. Refer to the Invacare Website under "Product Literature Search". Enter the part number in the "Keywords" field and download a free PDF version copy.

NOTE: When adjusting or replacing parts, please refer to you Owner's Manual for assistance.