

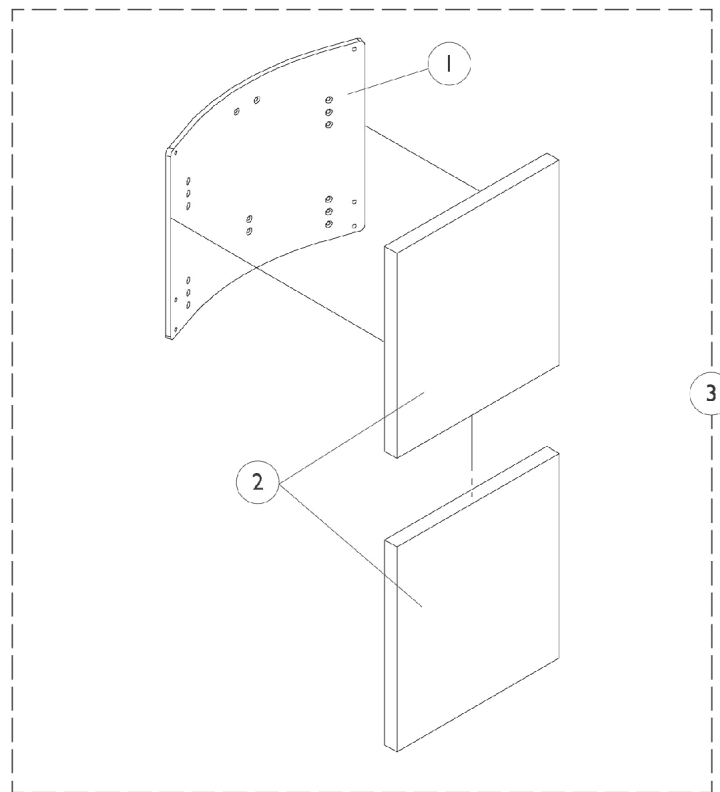
ABS Curved Back without Mounting Hardware Tilt Only (2GT)

NOTE: CURV Metal Backs will only attach to Round Back Canes only. Hardware to attach to the Key Slotted Extruded Back Canes is not available.

NOTE: Wheelchairs with serial number dated for 2005 and after, call a Customer Service Parts Specialist for additional information on ordering a warranty ABS Back Pan replacement.

NOTE: Overall back height is calculated by measuring from the seat pan surface to the top of the back pan. Back pan material height can be calculated by subtracting 4-3/4" from the overall back height listed. Material height listed is rounded off to the nearest whole number.

NOTE: Hook Fastener Adhesive Kit must be ordered when a Back Pan or Back Assembly is requested. This will allow the Loop Fastener Adhesive on the Back Cover to attach properly.



Item Number	Note	Part Number	Description	Quantity Per	
				Package	Assembly
1		See Chart	#1 Back Pan (16" - 19" W)	1	1
1		See Chart	#1 Back Pan (20" - 22" W)	1	1
2		See Chart	#2 Back Cushion Assembly (16" - 19" W)	1	1
2		See Chart	#2 Back Cushion Assembly (20" - 22" W)	1	1
3		See Chart	#3 Back Assembly w/o Hardware (16" - 19" W)	1	1
3		See Chart	#3 Back Assembly w/o Hardware (20" - 22" W)	1	1
	A	1125723	Kit, Hook Fastener w/ Adhesive Back	1	1

NOTE: A - Not Shown. Hook Fastener Adhesive Kit is used to attach the Back Cover to the Back Pan and must be ordered when a new Back Pan or Back Assembly is requested

ABS Curved Back without Mounting Hardware Tilt Only (2GT)

NOTE: CURV Metal Backs will only attach to Round Back Canes only. Hardware to attach to the Key Slotted Extruded Back Canes is not available.

NOTE: Wheelchairs with serial number dated for 2005 and after, call a Customer Service Parts Specialist for additional information on ordering a warranty ABS Back Pan replacement.

NOTE: Overall back height is calculated by measuring from the seat pan surface to the top of the back pan. Back pan material height can be calculated by subtracting 4-3/4" from the overall back height listed. Material height listed is rounded off to the nearest whole number.

NOTE: Hook Fastener Adhesive Kit must be ordered when a Back Pan or Back Assembly is requested. This will allow the Loop Fastener Adhesive on the Back Cover to attach properly.

#1 Back Pan (16" - 19" W)

Overall Back Height	Material Back Height	16" Wide	17" Wide	18" Wide	19" Wide
20"	16"	1086049-NLA	1086050-NLA	1086051-NLA	1086052-NLA
21"	17"	1086056-NLA	1086057-NLA	1086058-NLA	1086059-NLA
22"	18"	1086063-NLA	1086064-NLA	1086065-NLA	1086066-NLA
23"	19"	1086070-NLA	1086071-NLA	1086072-NLA	1086073-NLA
24"	20"	1086077-NLA	1086078-NLA	1086079-NLA	1086080-NLA
25"	21"	1086084-NLA	1086085-NLA	1086086-NLA	1086087-NLA

NOTE: Wheelchairs with serial number dated for 2005 and after, call a Customer Service Parts Specialist for additional information on ordering a warranty ABS Back Pan replacement.

ABS Curved Back without Mounting Hardware Tilt Only (2GT)

NOTE: CURV Metal Backs will only attach to Round Back Canes only. Hardware to attach to the Key Slotted Extruded Back Canes is not available.

NOTE: Wheelchairs with serial number dated for 2005 and after, call a Customer Service Parts Specialist for additional information on ordering a warranty ABS Back Pan replacement.

NOTE: Overall back height is calculated by measuring from the seat pan surface to the top of the back pan. Back pan material height can be calculated by subtracting 4-3/4" from the overall back height listed. Material height listed is rounded off to the nearest whole number.

NOTE: Hook Fastener Adhesive Kit must be ordered when a Back Pan or Back Assembly is requested. This will allow the Loop Fastener Adhesive on the Back Cover to attach properly.

#1 Back Pan (20" - 22" W)

Overall Back Height	Material Back Height	20" Wide	21" Wide	22" Wide
20"	16"	1086053-NLA	1086054-NLA	1086055-NLA
21"	17"	1086060-NLA	1086061-NLA	1086062-NLA
22"	18"	1086067-NLA	1086068-NLA	1086069-NLA
23"	19"	1086074-NLA	1086075-NLA	1086076-NLA
24"	20"	1086081-NLA	1086082-NLA	1086083-NLA
25"	21"	1086088-NLA	1086089-NLA	1086090-NLA

NOTE: Wheelchairs with serial number dated for 2005 and after, call a Customer Service Parts Specialist for additional information on ordering a warranty ABS Back Pan replacement.

#2 Back Cushion Assembly (16" - 19" W)

Overall Back Height	Material Back Height	16" Wide	17" Wide	18" Wide	19" Wide
20"	16"	1097403	1097404	1097405	1097406
21"	17"	1097410	1097411	1097412	1097413
22"	18"	1097417	1097418	1097419	1097420
23"	19"	1097424	1097425	1097426	1097427
24"	20"	1097431	1097432	1097433	1097434
25"	21"	1097438	1097439	1097440	1097441

Back cover and foam are sold as a back cushion assembly only.

ABS Curved Back without Mounting Hardware Tilt Only (2GT)

NOTE: CURV Metal Backs will only attach to Round Back Canes only. Hardware to attach to the Key Slotted Extruded Back Canes is not available.

NOTE: Wheelchairs with serial number dated for 2005 and after, call a Customer Service Parts Specialist for additional information on ordering a warranty ABS Back Pan replacement.

NOTE: Overall back height is calculated by measuring from the seat pan surface to the top of the back pan. Back pan material height can be calculated by subtracting 4-3/4" from the overall back height listed. Material height listed is rounded off to the nearest whole number.

NOTE: Hook Fastener Adhesive Kit must be ordered when a Back Pan or Back Assembly is requested. This will allow the Loop Fastener Adhesive on the Back Cover to attach properly.

#2 Back Cushion Assembly (20" - 22" W)

Overall Back Height	Material Back Height	20" Wide	21" Wide	22" Wide
20"	16"	1097407	1097408	1097409
21"	17"	1097414	1097415	1097416
22"	18"	1097421	1097422	1097423
23"	19"	1097428	1097429	1097430
24"	20"	1097435	1097436	1097437
25"	21"	1097442	1097443	1097444

#3 Back Assembly w/o Hardware (16" - 19" W)

Overall Back Height	Material Back Height	16" Wide	17" Wide	18" Wide	19" Wide
20"	16"	1090596-NLA See Note(s) A	1090597-NLA See Note(s) A	1090598-NLA See Note(s) A	1090599-NLA See Note(s) A
21"	17"	1090603-NLA See Note(s) A	1090604-NLA See Note(s) A	1090605-NLA See Note(s) A	1090606-NLA See Note(s) A
22"	18"	1090610-NLA See Note(s) A	1090611-NLA See Note(s) A	1090612-NLA See Note(s) A	1090613-NLA See Note(s) A
23"	19"	1090617-NLA See Note(s) A	1090618-NLA	1090619-NLA See Note(s) A	1090620-NLA See Note(s) A
24"	20"	1090624-NLA See Note(s) A	1090625-NLA See Note(s) A	1090626-NLA See Note(s) A	1090627-NLA See Note(s) A
25"	21"	1090631-NLA See Note(s) A	1090632-NLA See Note(s) A	1090633-NLA See Note(s) A	1090634-NLA See Note(s) A

NOTE: A - No longer available. Must be ordered as separate components, Item 1 (Back Pan) and Item 2 (Back Cushion Assembly).

ABS Curved Back without Mounting Hardware Tilt Only (2GT)

NOTE: CURV Metal Backs will only attach to Round Back Canes only. Hardware to attach to the Key Slotted Extruded Back Canes is not available.

NOTE: Wheelchairs with serial number dated for 2005 and after, call a Customer Service Parts Specialist for additional information on ordering a warranty ABS Back Pan replacement.

NOTE: Overall back height is calculated by measuring from the seat pan surface to the top of the back pan. Back pan material height can be calculated by subtracting 4-3/4" from the overall back height listed. Material height listed is rounded off to the nearest whole number.

NOTE: Hook Fastener Adhesive Kit must be ordered when a Back Pan or Back Assembly is requested. This will allow the Loop Fastener Adhesive on the Back Cover to attach properly.

#3 Back Assembly w/o Hardware (20" - 22" W)

Overall Back Height	Material Back Height	20" Wide	21" Wide	22" Wide
20"	16"	1090600-NLA See Note(s) A	1090601-NLA See Note(s) A	1090602-NLA See Note(s) A
21"	17"	1090607-NLA See Note(s) A	1090608-NLA See Note(s) A	1090609-NLA See Note(s) A
22"	18"	1090614-NLA See Note(s) A	1090615-NLA See Note(s) A	1090616-NLA See Note(s) A
23"	19"	1090621-NLA See Note(s) A	1090622-NLA See Note(s) A	1090623-NLA See Note(s) A
24"	20"	1090628-NLA See Note(s) A	1090629-NLA See Note(s) A	1090630-NLA See Note(s) A
25"	21"	1090635-NLA See Note(s) A	1090636-NLA See Note(s) A	1090637-NLA See Note(s) A

NOTE: A - No longer available. Must be ordered as separate components, Item 1 (Back Pan) and Item 2 (Back Cushion Assembly).