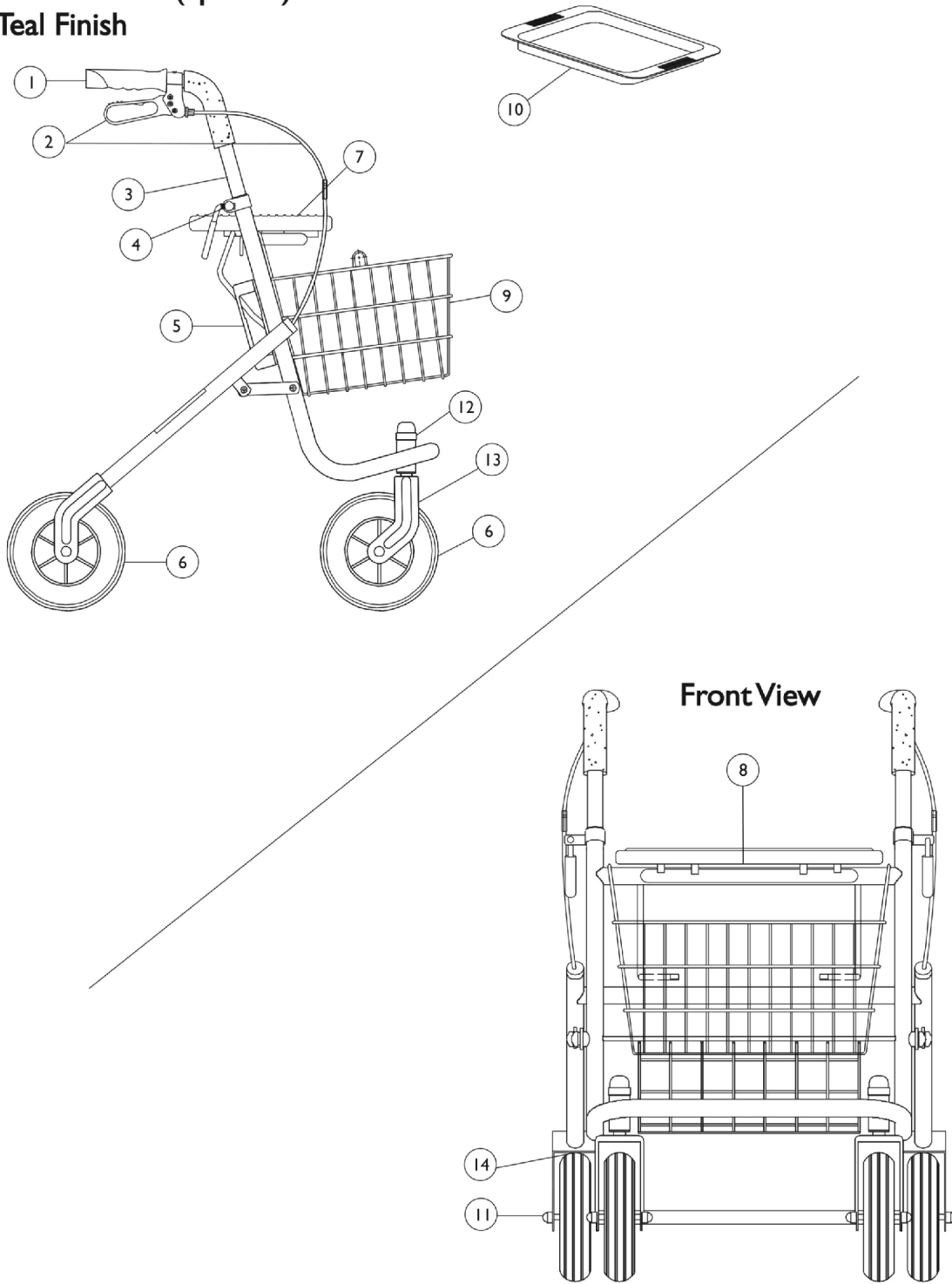


Rollator (Four Wheeled) Model 65420 - Spartan

Model 65420 (Spartan)
Teal Finish



Rollator (Four Wheeled) Model 65420 - Spartan

| Item Number | Note | Part Number | Description | Quantity Per | |
|-------------|-------------|-------------|------------------------------------|--------------|----------|
| | | | | Package | Assembly |
| 1 | | 1076186 | Grips, Hand | 2 | 1 |
| 2 | A,B,K | 1076189-NLA | NLA - Kit, Hand Brake - Left | 1 | 1 |
| 2 | A,B | 1076190-NLA | NLA - Kit, Hand Brake - Right | 1 | 1 |
| 2 | C,E,L, M | 1096765-NLA | NLA - Kit, Hand Brake - Right/Left | 1 | 2 |
| 3 | F | 1076187-NLA | NLA - Kit, Cane Assembly - Left | 1 | 1 |
| 3 | F | 1076188-NLA | NLA - Kit, Cane Assembly - Right | 1 | 1 |
| 4 | G | 1076191-NLA | NLA - Lever, Hand, Adjustable | 1 | 2 |
| 5 | H | 1076185-NLA | NLA - Folding Bracket Assembly | 1 | 2 |
| 6 | I | 1076171-NLA | NLA - Kit, Wheel | 1 | 4 |
| 7 | | 1076172-NLA | NLA - Seat | 1 | 1 |
| 8 | J | 1076178-NLA | NLA - Seat Hardware | 1 | 1 |
| 9 | | 1076168-NLA | NLA - Basket | 1 | 1 |
| 10 | | 1076174-NLA | NLA - Tray | 1 | 1 |
| 11 | | 1082534-NLA | NLA - Cap, Plastic, Black | 8 | 1 |
| 12 | | 1094538-NLA | NLA - Cap, Plastic, Black | 1 | 2 |
| 13 | | 1094534-NLA | NLA - Fork, Front | 1 | 2 |
| 14 | | 1102912-NLA | NLA - Pad, Brake | 1 | 2 |

NOTE: A - Cable Style.
 B - Before 3/7/00.
 C - Loop Style.
 E - After 3/8/00.
 F - Includes Cane, Foam Sleeve and Items 1-2.
 G - Includes Bolt, Washer and Lever.
 H - Includes Fold Up/Down Bracket & Screw.
 I - Includes Wheel, Bearing, Hardware and Instruction Sheet.
 J - Includes Brackets, Plates and Screws.
 K - Includes Brake Handle, Cable and Instruction Sheet.
 L - Includes Brake Assembly and Instruction Sheet.
 M - No Longer Available.