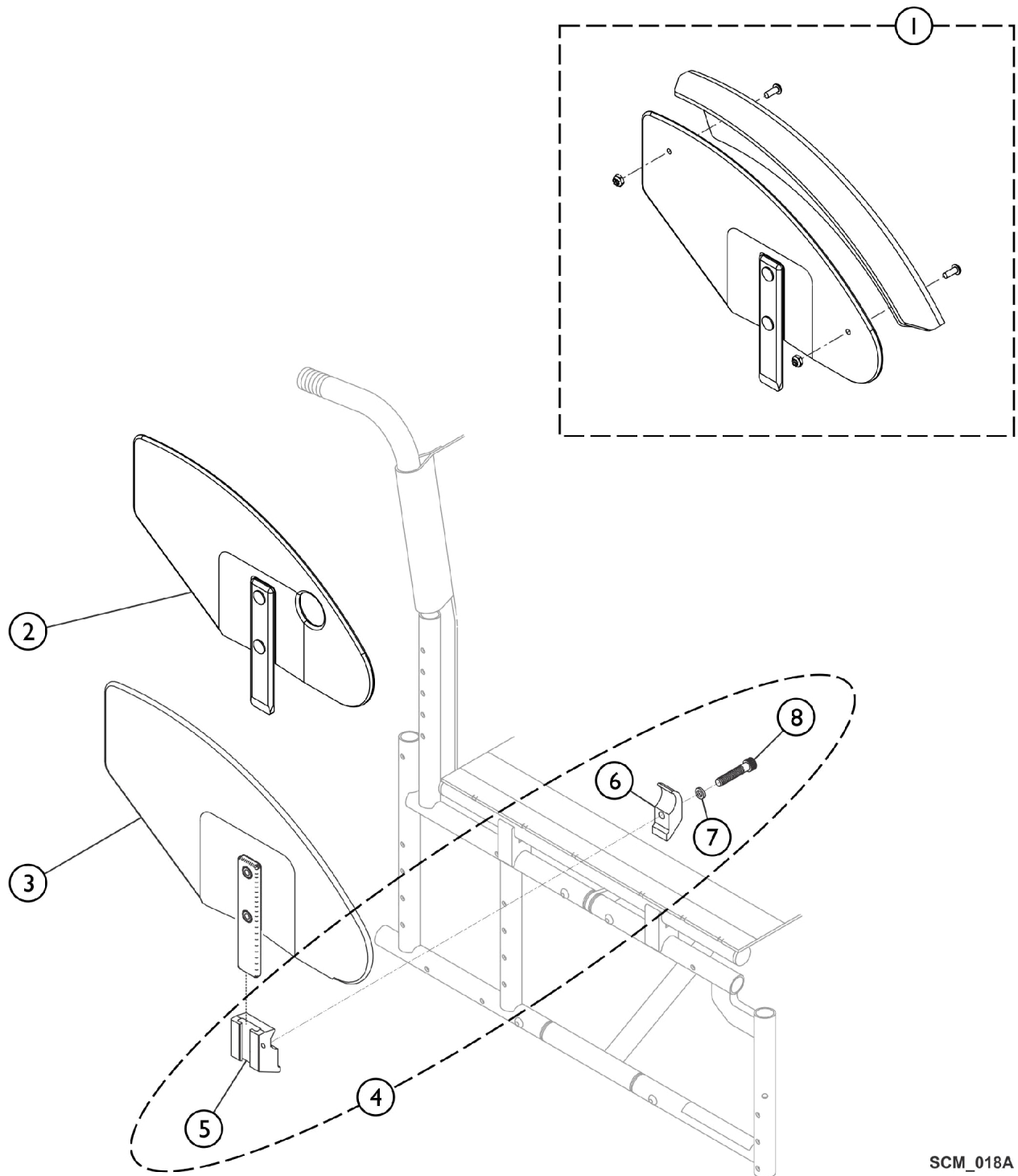


# Clothing Guard - Removable Side Guard



SCM\_018A

## Clothing Guard - Removable Side Guard

Item Number	Note	Part Number	Description	Quantity Per	
				Package	Assembly
1	A	See Chart	#1 Clothing Guard w/ Fender and No Quad Hole	1	1
2		See Chart	#2 Clothing Guard w/ Quad Hole and No Fender	1	1
3		See Chart	#3 Clothing Guard w/o Quad Hole and No Fender	1	1
4		1036342	Kit, Side Guard Hardware (Pair)	1	1
5		1032249	Clamp, Half, Threaded	1	2
6		1018692-NLA	NLA - Clamp, Half, Non-Threaded	1	2
7		1013971	Washer, Nylon (1/4 x 7/16 x 5/64")	1	2
8		1003545	Screw, Socket Head (1/4-20 x 1-1/4")	1	2

NOTE: A - Includes items 4-7.

Rigid Clothing guard sizes (Small 16" deep chairs - 17 or deeper larger sizes)

### #1 Clothing Guard w/ Fender and No Quad Hole

Model	Guard	22 and 24" Wheels	25 and 26" Wheels
CRF79	Right Side	1145643-NLA	1145645-NLA
CRF79	Left Side	1145644-NLA	1145646-NLA

### #2 Clothing Guard w/ Quad Hole and No Fender

Model	Guard	22 and 24" Wheels	25 and 26" Wheels
CRF18	Right Side	1036407	1036405
CRF18	Left Side	1036408	1036406

### #3 Clothing Guard w/o Quad Hole and No Fender

Model	Guard	22 and 24" Wheels	25 and 26" Wheels
CRF19	Right Side	1036346	1036344
CRF19	Left Side	1036347	1036345