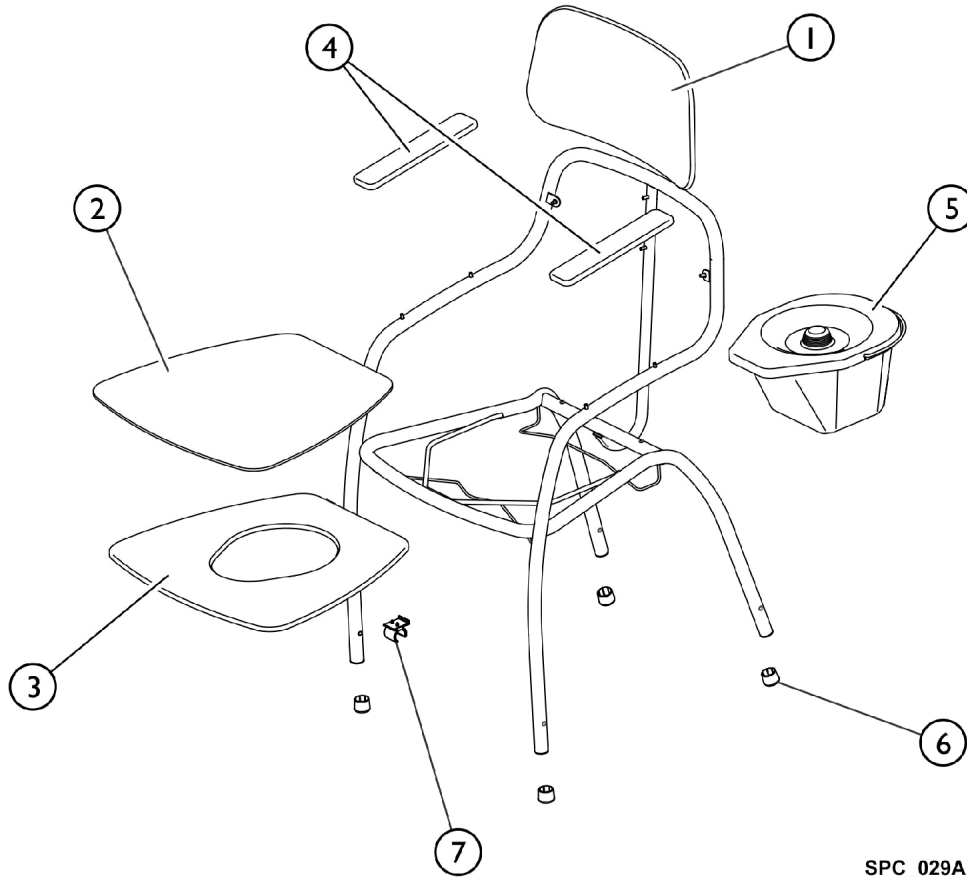


Omega Commode



SPC_029A

Item Number	Note	Part Number	Description	Quantity Per	
				Package	Assembly
1		1471004	Backrest, Dark Blue	1	1
2		1471005	Lid, Seat	1	1
3		1471007	Seat, Toilet	1	1
4		1471008	Pad, Armrest, Dark Blue (Pair)	2	1
5		1470991	Pan, Sanitary w/ Lid, Square	1	1
6		1470992	Tips, Rubber	1	4