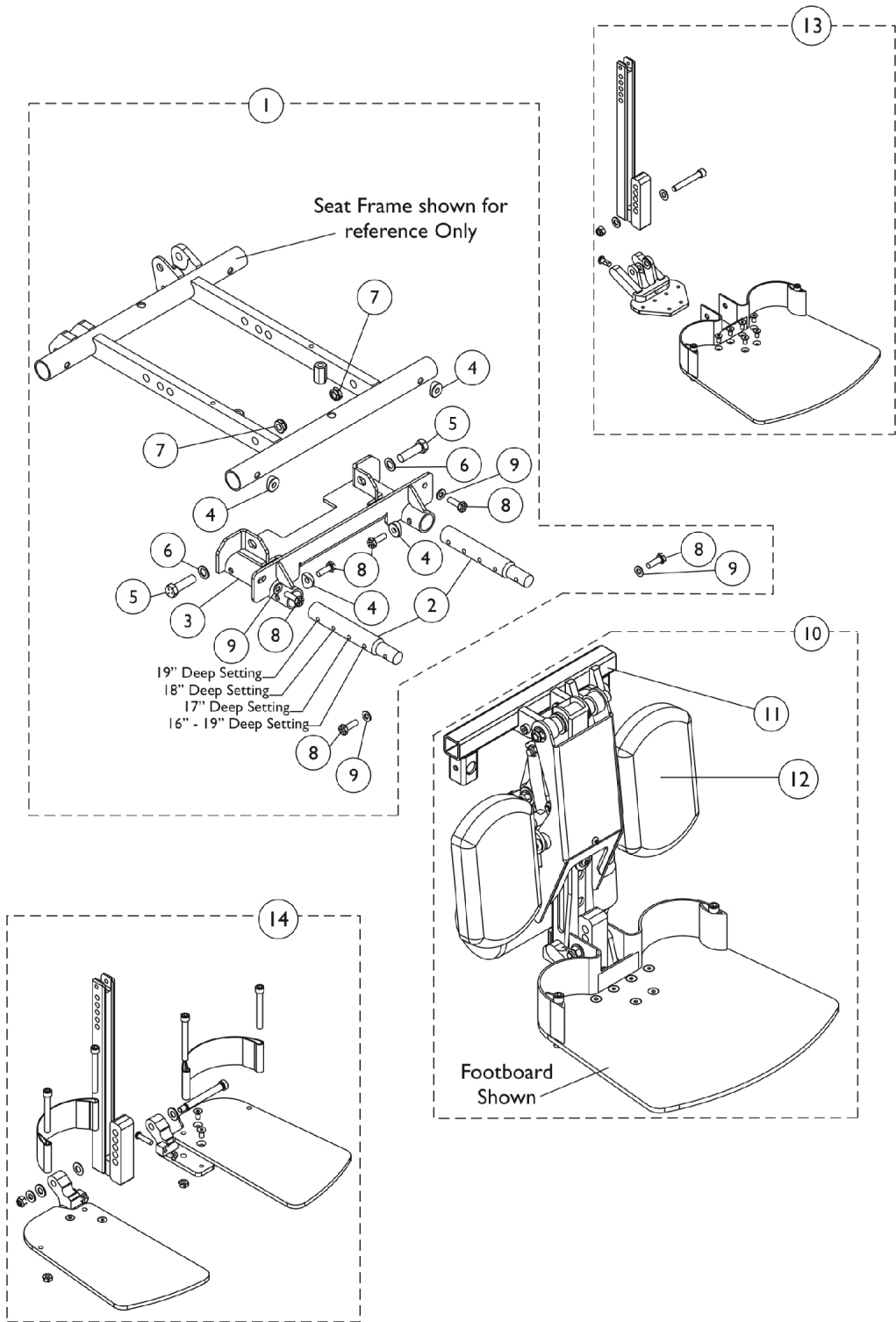


# Power Elevating Legrest (MPCTMT/MPCTMT-L) For TDX SC (After 12/31/08)

Replacement parts for chairs with existing MPCTMT built after 12/31/08.



# Power Elevating Legrest (MPCTMT/MPCTMT-L) For TDX SC (After 12/31/08)

Replacement parts for chairs with existing MPCTMT built after 12/31/08.

Item Number	Note	Part Number	Description	Quantity Per	
				Package	Assembly
1	A	1141667	Kit, Power Elevating Legrest Mounting Hardware (16-19" D)	1	1
2			Bar, Extension, Power Center Mount (16 - 19" D)	1	2
3			Bracket, Rear, Power Center Mount	1	1
4			Spacer, Coved (1/4 x 11/16 x 1/2")	1	4
5			NLA - Screw, Hex Head (3/8-16 x 1-1/4")	1	2
6			Washer, Plain (1/4 x 9/16 x 1/16")	1	2
7			Locknut, Low Profile (3/8-16)	1	2
8			Screw, Hex Head w/ Patch (1/4-20 x 3/4")	1	6
9			Washer (1/4 x 1/2 x 1/16")	1	4
1	A	1141668	Kit, Power Elevating Legrest Mounting Hardware (19-20" D)	1	1
2			Bar, Extension, Power Center Mount (19 - 20" D)	1	2
3			Bracket, Rear, Power Center Mount	1	1
4			Spacer, Coved (1/4 x 11/16 x 1/2")	1	4
5			NLA - Screw, Hex Head (3/8-16 x 1-1/4")	1	2
6			Washer, Plain (1/4 x 9/16 x 1/16")	1	2
7			Locknut, Low Profile (3/8-16)	1	2
8			Screw, Hex Head w/ Patch (1/4-20 x 3/4")	1	6
9			Washer (1/4 x 1/2 x 1/16")	1	4
1	A	1141669	Kit, Power Elevating Legrest Mounting Hardware (21-22" D)	1	1
2			Bar, Extension, Power Center Mount (21-22" D)	1	2
3			Bracket, Rear, Power Center Mount	1	1
4			Spacer, Coved (1/4 x 11/16 x 1/2")	1	4
5			NLA - Screw, Hex Head (3/8-16 x 1-1/4")	1	2
6			Washer, Plain (1/4 x 9/16 x 1/16")	1	2
7			Locknut, Low Profile (3/8-16)	1	2
8			Screw, Hex Head w/ Patch (1/4-20 x 3/4")	1	6
9			Washer (1/4 x 1/2 x 1/16")	1	4
	B	1162805	Kit, Power Center Mount Hardware	1	1
4			Spacer, Coved (1/4 x 11/16 x 1/2")	1	4
5			NLA - Screw, Hex Head (3/8-16 x 1-1/4")	1	2
6			Washer, Plain (1/4 x 9/16 x 1/16")	1	2
7			Locknut, Low Profile (3/8-16)	1	2
8			Screw, Hex Head w/ Patch (1/4-20 x 3/4")	1	6
9			Washer (1/4 x 1/2 x 1/16")	1	4
10		1162010	Power Center Mount Assembly w/ Footboard	1	1
10		1162011	Power Center Mount Assembly w/ Footboard - Long	1	1
10		1162012	Power Center Mount Assembly w/ Footplate (Pair)	1	1
10		1162013	Power Center Mount Assembly w/ Footplate - Long (Pair)	1	1
11		1141665	Bracket, MPCTMT Power Center Mount, Black	1	1
12	C	1163373	Kit, Calf Pad (Pair)	1	1
			Pad, Calf (4-1/2" W x 7-1/4" L)	1	2

# Power Elevating Legrest (MPCTMT/MPCTMT-L) For TDX SC (After 12/31/08)

Replacement parts for chairs with existing MPCTMT built after 12/31/08.

Item Number	Note	Part Number	Description	Quantity Per	
				Package	Assembly
13	D	1164849	Screw, Socket Button Head w/ Patch (1/4-20 x 3/4")	1	4
			Footboard w/ Hardware Assembly, MPCTMT/MPCTMT-L	1	1
14	E	1164309	Footplate w/ Hardware Assembly, MPCTMT/MPCTMT-L	1	1
NOTE: A - Includes items 2-9. B - Not shown. Includes items 4-9. C - Includes calf pads and attaching hardware. D - Includes footboard and attaching hardware. E - Includes footplates and attaching hardware.					